

REQUIRED MATERIALS:



- Two (2) Capable Adults

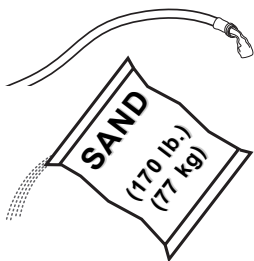


- Wood Board (scrap)



- Sawhorse or Support Table

- Garden Hose or Sand



- (2 each) Wrenches and/or Socket Wrenches and Sockets.



1/2" 9/16"

AND/OR

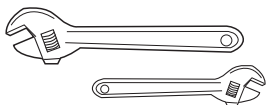


1/2"

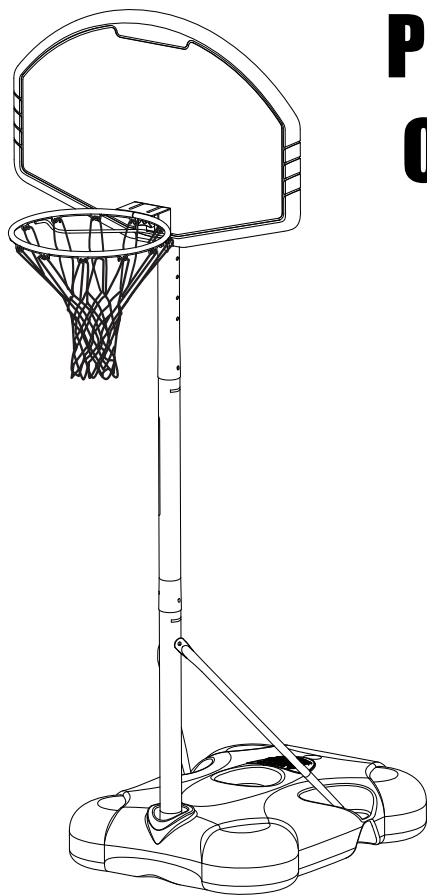


9/16"

OPTIONAL TOOLS AND MATERIALS:



- Large and Small Adjustable Wrenches



Portable System Owners Manual

1-800-Spalding



European Technical File:
De Ruyumbeke
20 Bd Bourre
13008 Marseille, France

Write Model Number From Box Here:

	NOTE:
	Position unit at least 6' 7" (2 meters) from buildings, water and electricity. For family and domestic use only.

Adult Assembly Required.

This manual, accompanied by sales receipt, should be saved and kept on hand as a convenient reference, as it contains important information about your model.

	WARNING!
	<p>READ AND UNDERSTAND OPERATOR'S MANUAL BEFORE USING THIS UNIT.</p> <p>FAILURE TO FOLLOW OPERATING INSTRUCTIONS COULD RESULT IN INJURY OR DAMAGE TO PROPERTY.</p>

	WARNING!
	<p>NOT SUITABLE FOR CHILDREN UNDER THREE YEARS OF AGE DUE TO SMALL PARTS/CHOKING HAZARD.</p>

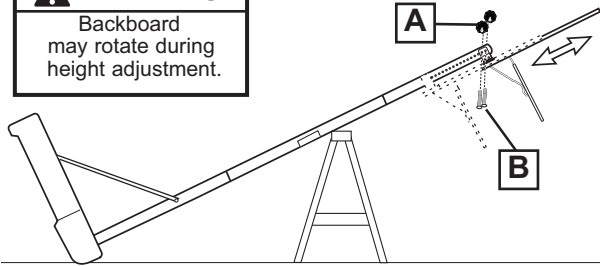
Toll-Free Customer Service Number for U.S: 1-800-558-5234, For Canada: 1-800-284-8339,
For Europe: 00 800 555 85234 (Sweden: 009 555 85234), For Australia: 1300 367 582
Internet Address: www.spalding.com www.spalding.com.au

23

HEIGHT ADJUSTMENT

Rest unit on support table. Remove adjustment knobs (A) and carriage bolts (B) to extend or retract backboard and rim. Height adjustment from 4-1/2' - 6-1/2'.

WARNING
Backboard may rotate during height adjustment.



WARNING
Do not adjust height of system in upright position. System must be in down position to adjust

558170 07/05



WARNING

Read and understand warnings listed below before using this product.

Failure to follow these warnings may result in serious injury and/or property damage.

Owner must ensure that all players know and follow these rules for safe operation of the system.

- DO NOT HANG on the rim or any part of the system including backboard, support braces or net.
- During play, especially when performing dunk type activities, keep player's face away from the backboard, rim and net. Serious injury could occur if teeth/face come in contact with backboard, rim or net.
- Do not slide, climb, shake or play on base and/or pole.
- After assembly is complete, fill system completely with water or sand. Never leave system in an upright position without filling base with weight, as system may tip over causing injuries.
- When adjusting height or moving system, keep hands and fingers away from moving parts.
- Do not allow children to move or adjust system.
- During play, do not wear jewelry (rings, watches, necklaces, etc.). Objects may entangle in net.
- Surface beneath the base must be smooth and free of gravel or other sharp objects. Punctures cause leakage and could cause system to tip over.
- Keep organic material away from pole base. Grass, litter, etc. could cause corrosion and/or deterioration.
- Check pole system for signs of corrosion (rust, pitting, chipping) and repaint with exterior enamel paint. If rust has penetrated through the steel anywhere, replace pole immediately.
- Check system before each use for proper ballast, loose hardware, excessive wear and signs of corrosion and repair before use.
- Check system before each use for instability.
- Do not use system during windy and/or severe weather conditions; system may tip over. Place system in the storage position and/or in an area protected from the wind and free from personal property and/or overhead wires.
- Never play on damaged equipment.
- When moving system, use caution to keep mechanism from shifting.
- Keep pole top covered with cap at all times.
- Do not allow water in tank to freeze. During sub-freezing weather add 2 gallons of non-toxic antifreeze, sand or empty tank completely and store. (Do not use salt.)
- While moving system, do not allow anyone to stand or sit on base or have added ballasting on base.
- Do not leave system unsupervised or play on system when wheels are engaged for moving.
- Use Caution when moving system across uneven surfaces. System may tip over.
- Use extreme caution if placing system on sloped surface. System may tip over more easily.
- See instruction manual for proper installation and maintenance.

SPALDING
In the U.S.: 1-800-558-6234
In Canada: 1-800-284-8339
In Australia: 1-300-367-562

RUSSELL
Trademarks registered in the USA and other countries.

HYDRA-RIB
In the U.S.: 1-800-334-9111

SURE SHOT
In the U.S.: 1-888-713-6488

HUFFY SPORTS
In the U.S.: 1-800-558-6234
In Canada: 1-800-284-8339

ID#: 55820002 02/12



SAFETY INSTRUCTIONS



FAILURE TO FOLLOW THESE SAFETY INSTRUCTIONS MAY RESULT IN SERIOUS INJURY OR PROPERTY DAMAGE AND WILL VOID WARRANTY.

Owner must ensure that all players know and follow these rules for safe operation of the system.

To ensure safety, do not attempt to assemble this system without following the instructions carefully. Proper and complete assembly, use, and supervision are essential for proper operation and to reduce the risk of accident or injury. A high probability of serious injury exists if this system is not installed, maintained, and operated properly.

- If using a ladder during assembly, use extreme caution.
- Check base regularly for leakage. Slow leaks could cause the system to tip over unexpectedly
- Seat the pole sections properly (if applicable). Failure to do so could allow the pole sections to separate during play and/or during transport of the system.
- Climate, corrosion or misuse could result in system failure.
- If technical assistance is required, contact Customer Service.
- Minimum operational height is 4'-6" (1.37m) to the bottom of backboard.

*Most injuries are caused by misuse and/or not following instructions.
Use caution when using this unit.*

NOTICE TO ASSEMBLERS

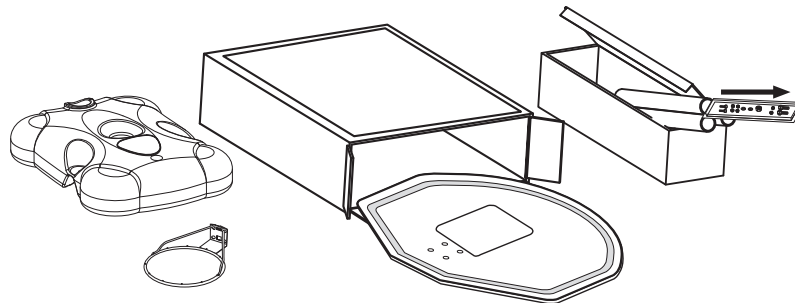
Adult Assembly Required. Dispose of ALL packaging materials promptly. As with all children's products, periodically inspect for loose small parts.

Assembled unit *MUST* be filled with water at ALL times.

ALL basketball systems, including those used for DISPLAYS, *MUST* be assembled and ballasted with sand or water according to instructions. Failure to follow instructions could result in **SERIOUS INJURY. It is **NOT** acceptable to devise a makeshift weight system.**

IMPORTANT!

**Remove all contents from boxes.
Be sure to check inside pole sections;
hardware and additional parts are packed inside.**



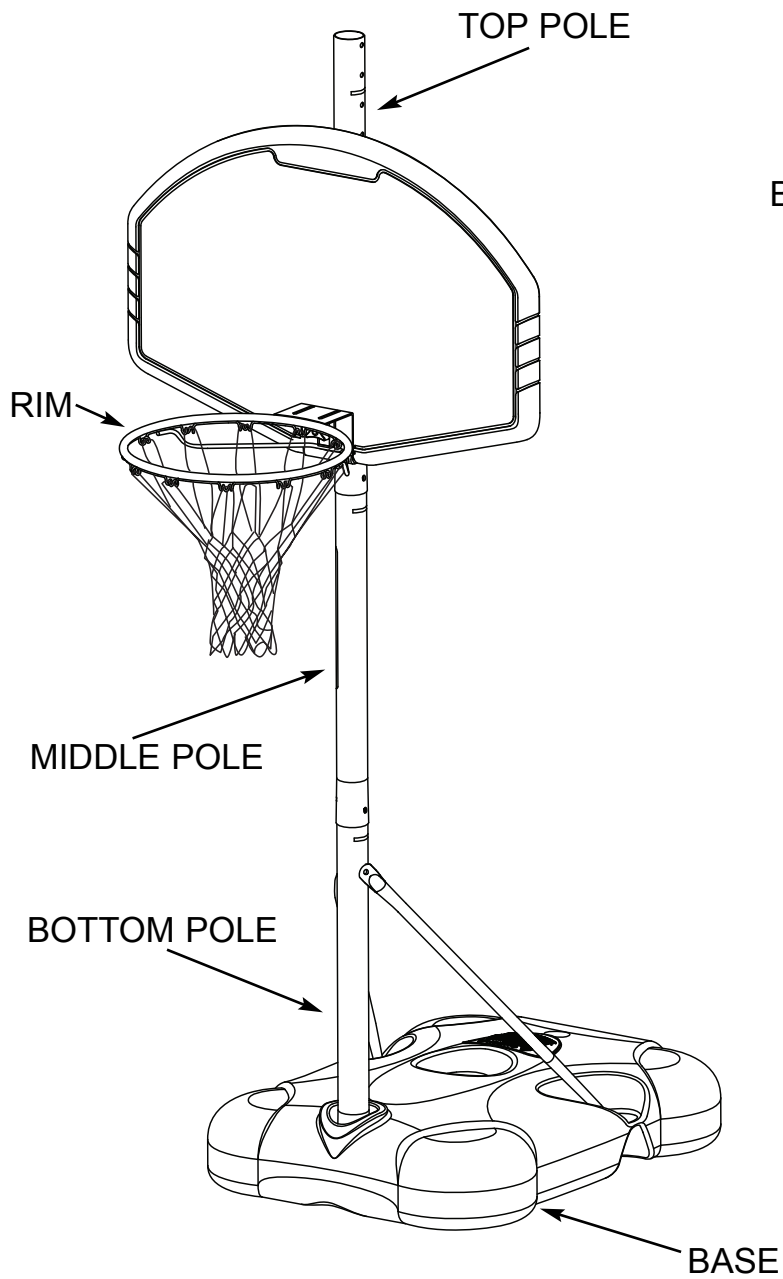
Questions or Missing Parts?

DON'T go back to store!

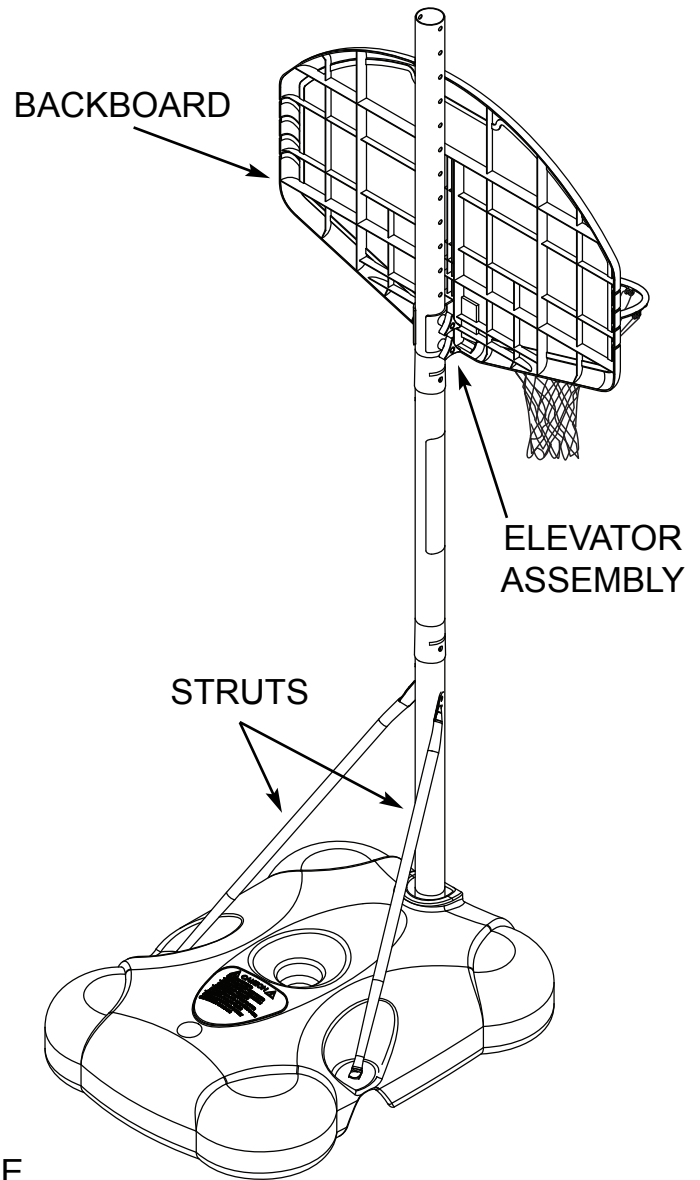
Call TOLL-FREE Customer Service
Number listed on the front page!

Get to know the basic parts of your basketball system...

Front View



Back View

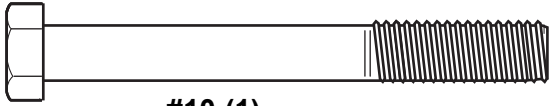


PARTS LIST

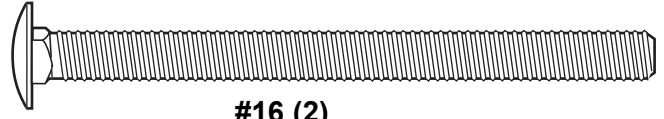
<input checked="" type="checkbox"/>	<u>Item</u>	<u>Qty.</u>	<u>Part No.</u>	<u>Description</u>
<input type="checkbox"/>	1	1	20664903	Base (Black)
<input type="checkbox"/>	2	1	90813001	Top Pole Section
<input type="checkbox"/>	3	1	90813301	Middle Pole Section with Label
<input type="checkbox"/>	4	1	908674	Bottom Pole Section
<input type="checkbox"/>	5	4	207610	Nut, Acorn, 5/16-18
<input type="checkbox"/>	6	1		Net
<input type="checkbox"/>	7	1	20378701	Cap, Pole
<input type="checkbox"/>	8	1	203223	Bolt, Carriage, 5/16-18 x 1" Long
<input type="checkbox"/>	9	1	203617	Cap, Base
<input type="checkbox"/>	10	1	203740	Bolt, Hex, 5/16-18 x 2.63" Long
<input type="checkbox"/>	11	2	600088	Knob, Plastic, 3-sided
<input type="checkbox"/>	12	1		Rim
<input type="checkbox"/>	13	1		Backboard
<input type="checkbox"/>	14	1	90813401	Backboard Mounting Bracket
<input type="checkbox"/>	15	1	908129	Rim Bracket
<input type="checkbox"/>	16	2	206686	Bolt, Carriage 1/4-20 x 3.25" Long
<input type="checkbox"/>	17	4*	203218	Washer, Flat, 5/16
<input type="checkbox"/>	18	1	203309	Washer, Flat, 1.0" O.D.
<input type="checkbox"/>	19	1	203679	Bolt, Hex, 3/8-16 x 2" Long
<input type="checkbox"/>	20	2	201531	Bolt, Carriage, 5/16-18 x 0.75" Long
<input type="checkbox"/>	21	1	900454	Strut, Left
<input type="checkbox"/>	22	1	900255	Strut, Right
<input type="checkbox"/>	23	1	558170	Label, Height Adjustment

* You may have extra parts with this model.

PARTS IDENTIFIER - Actual Size



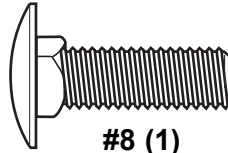
#10 (1)



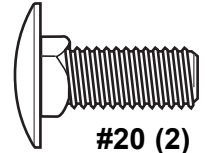
#16 (2)



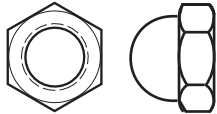
#19 (1)



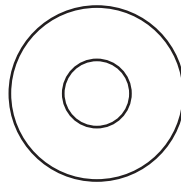
#8 (1)



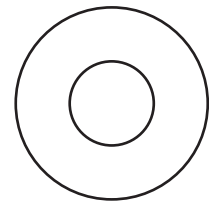
#20 (2)



#5 (4)

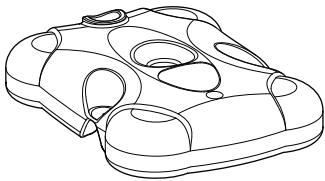


#17 (4)*

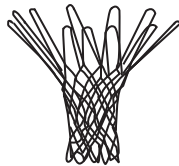


#18 (1)

PARTS IDENTIFIER - Not Actual Size



#1 (1)



#6 (1)



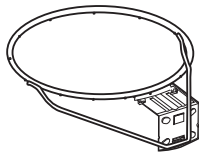
#7 (1)



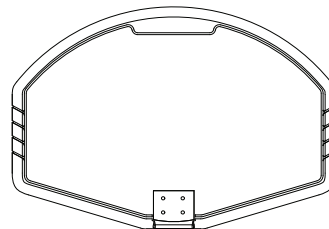
#9 (1)



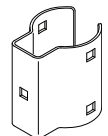
#11 (2)



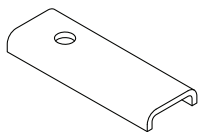
#12 (1)



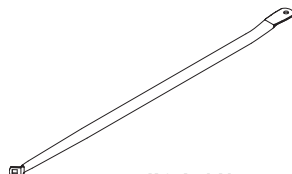
#13 (1)



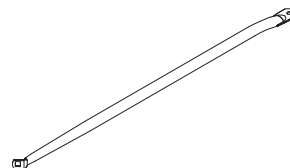
#14 (1)



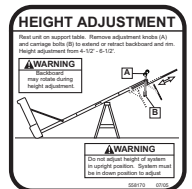
#15 (1)



#21 (1)

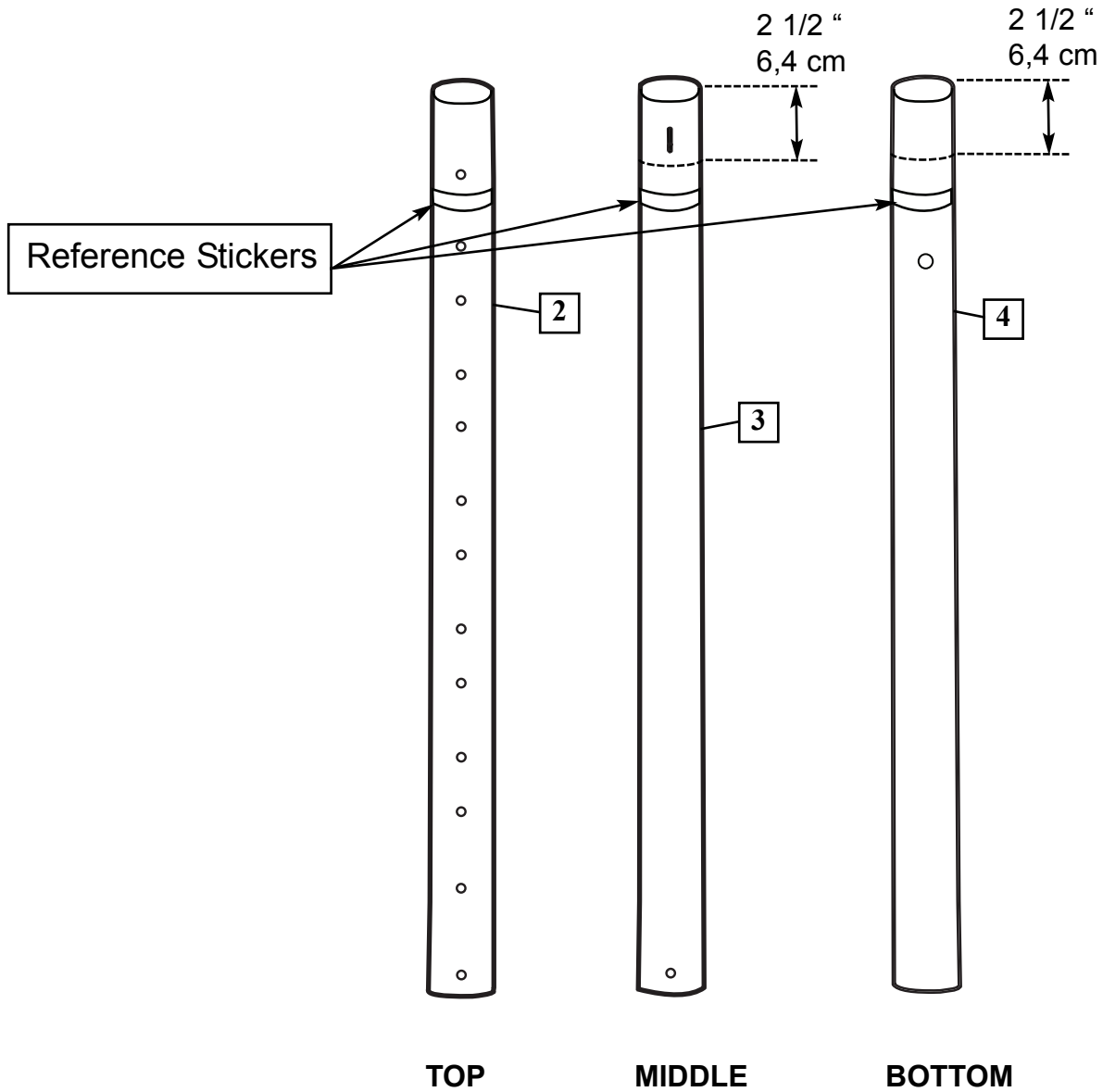


#22 (1)



#23 (1)

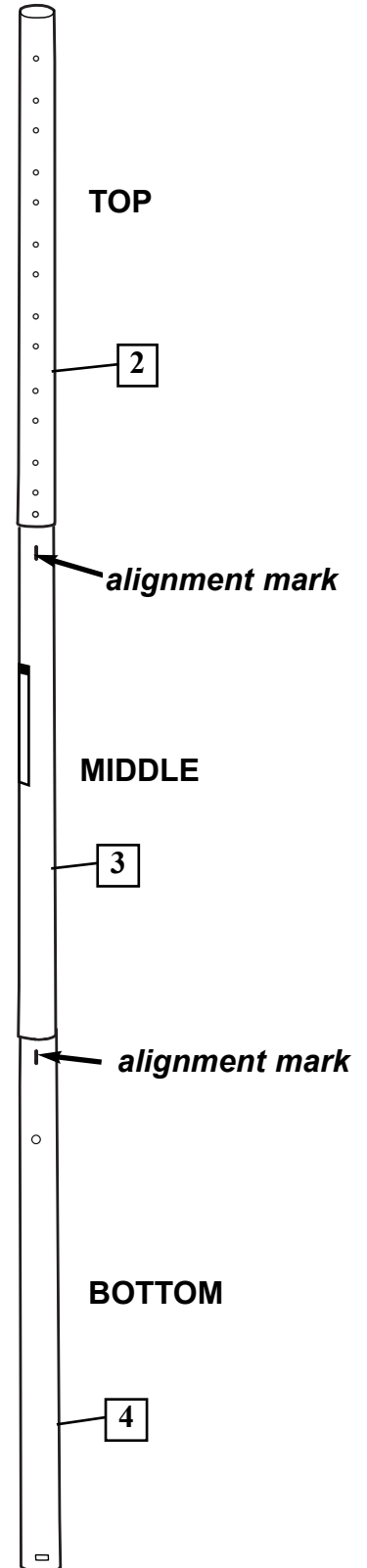
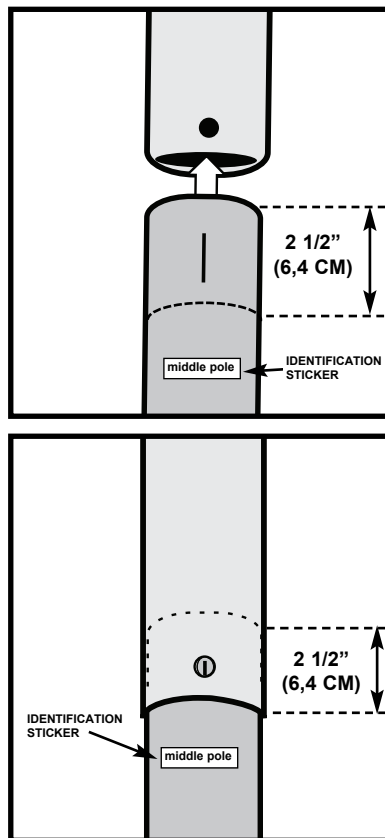
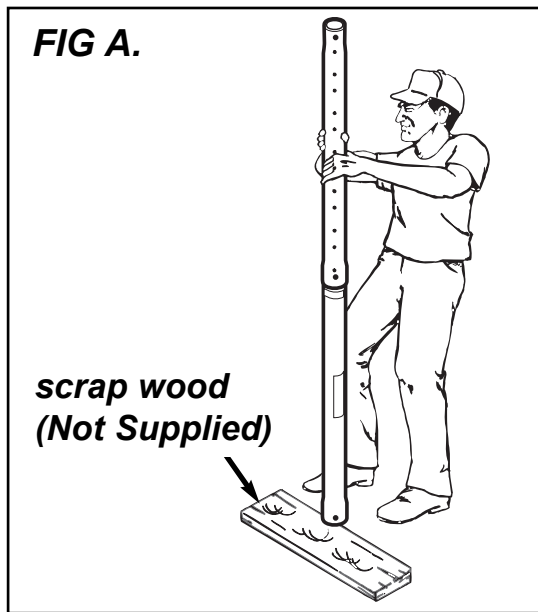
- 1.** Correctly identify each pole section. Mark with tape or marker on middle and bottom poles (3 and 4) 2 1/2" (6,4 cm) from top ends. Do not scratch paint on poles. **SEE BELOW**



IMPORTANT!

ONCE POLE SECTIONS ARE ASSEMBLED - THEY CANNOT BE TAKEN APART !

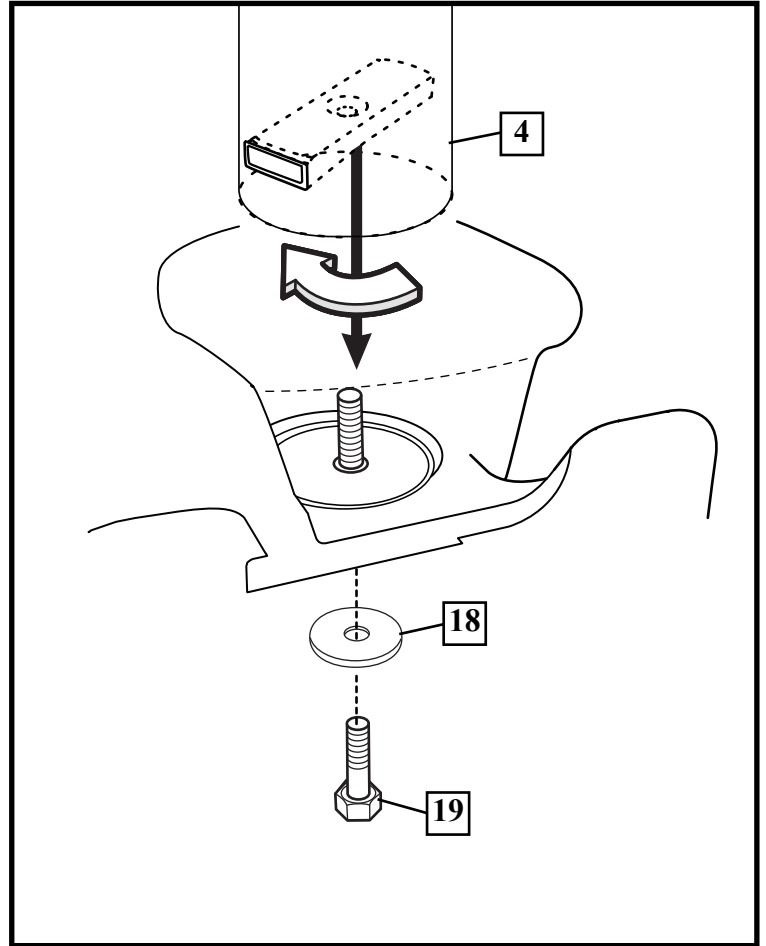
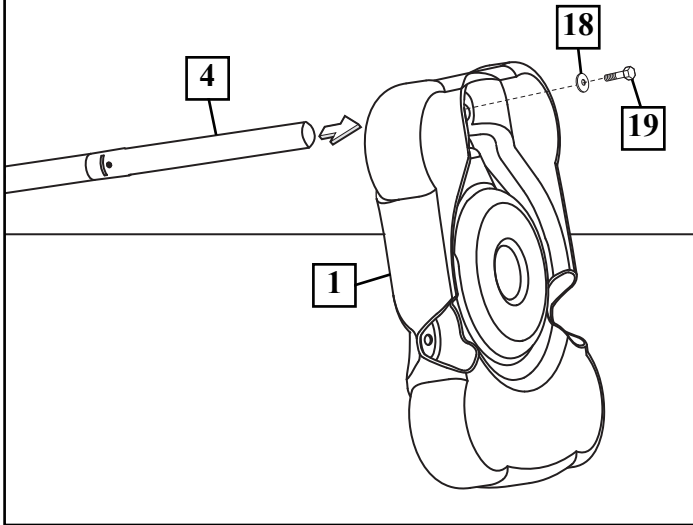
- 2.** Align poles using **alignment marks**. First, assemble top (2) and middle (3) poles together by bouncing them on a scrap piece of wood on the ground as shown in **FIG A**. until the top pole (2) moves to the 2 1/2 inch (6,4 cm) mark you previously made on the middle pole (3). **THEN** add bottom pole (4) and assemble in the same way, until the middle pole moves to the 2 1/2 inch (6,4 cm) mark you previously made on the top of the bottom pole (4).



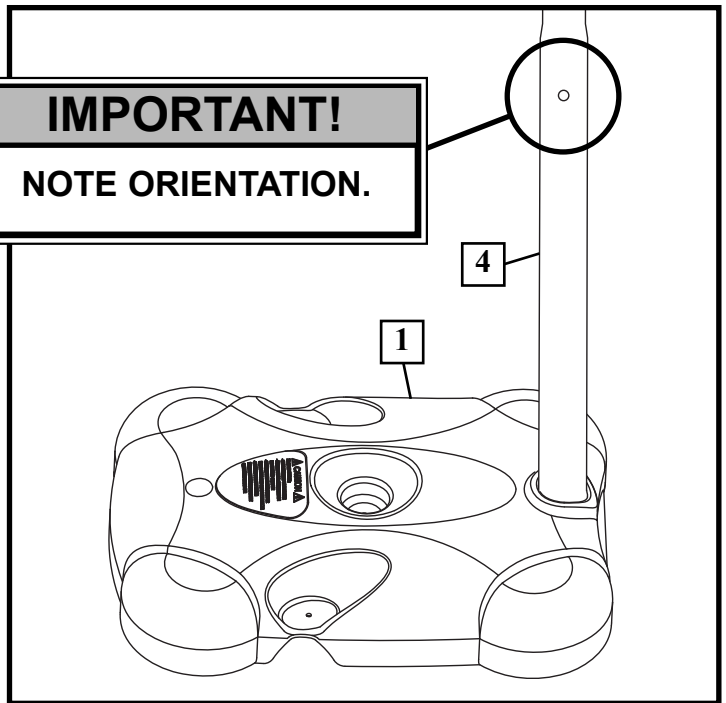
3.

Attach pole assembly to base as shown. Secure pole assembly to base by turning the pole assembly clockwise as shown.

NOTE:
CAREFULLY TIPPING THE SYSTEM FORWARD WILL ALLOW EASIER ACCESS TO UNDERSIDE OF BASE.



IMPORTANT!
NOTE ORIENTATION.

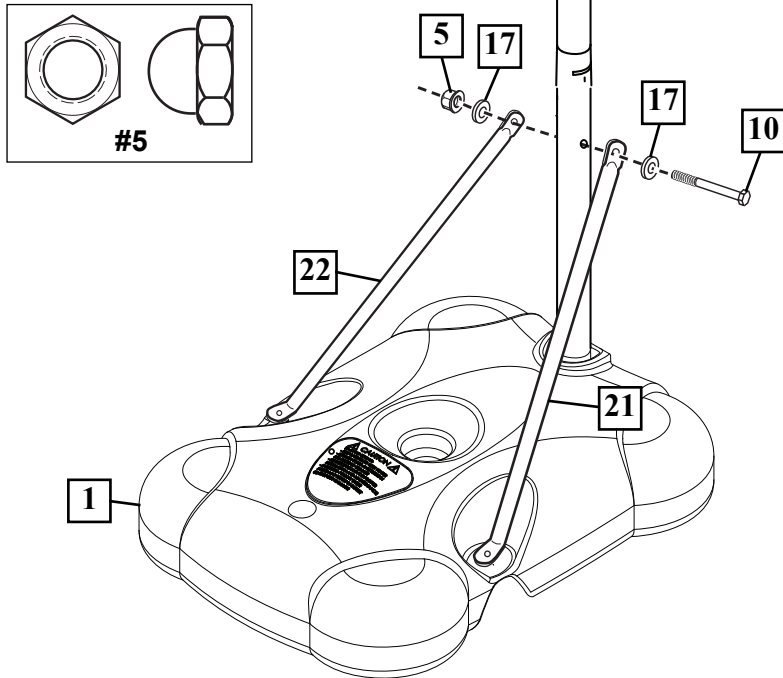


WARNING!

TWO CAPABLE ADULTS REQUIRED FOR THIS PROCEDURE. FAILURE TO FOLLOW THIS WARNING COULD RESULT IN SERIOUS INJURY AND/OR PROPERTY DAMAGE.

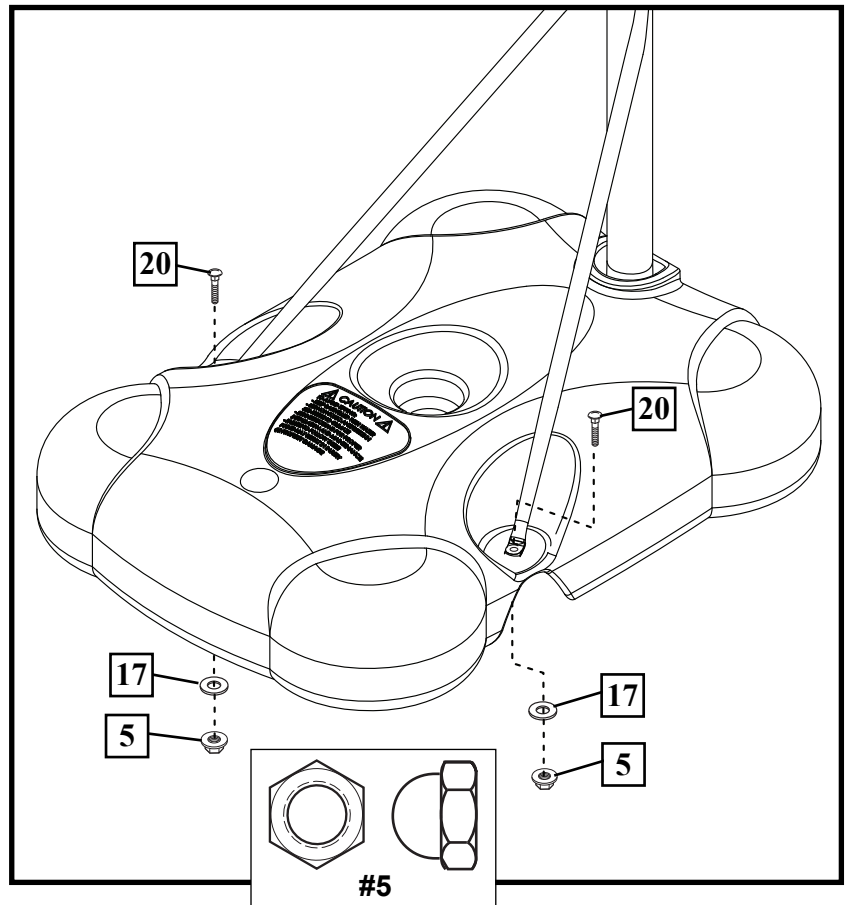
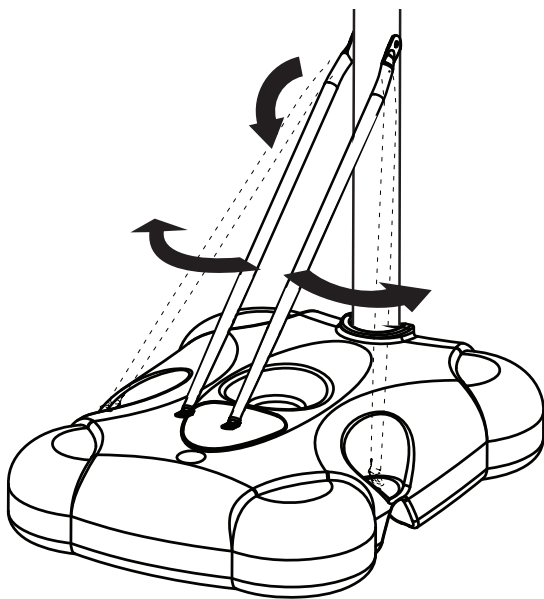
4.

Secure tank struts (21 and 22) to pole.



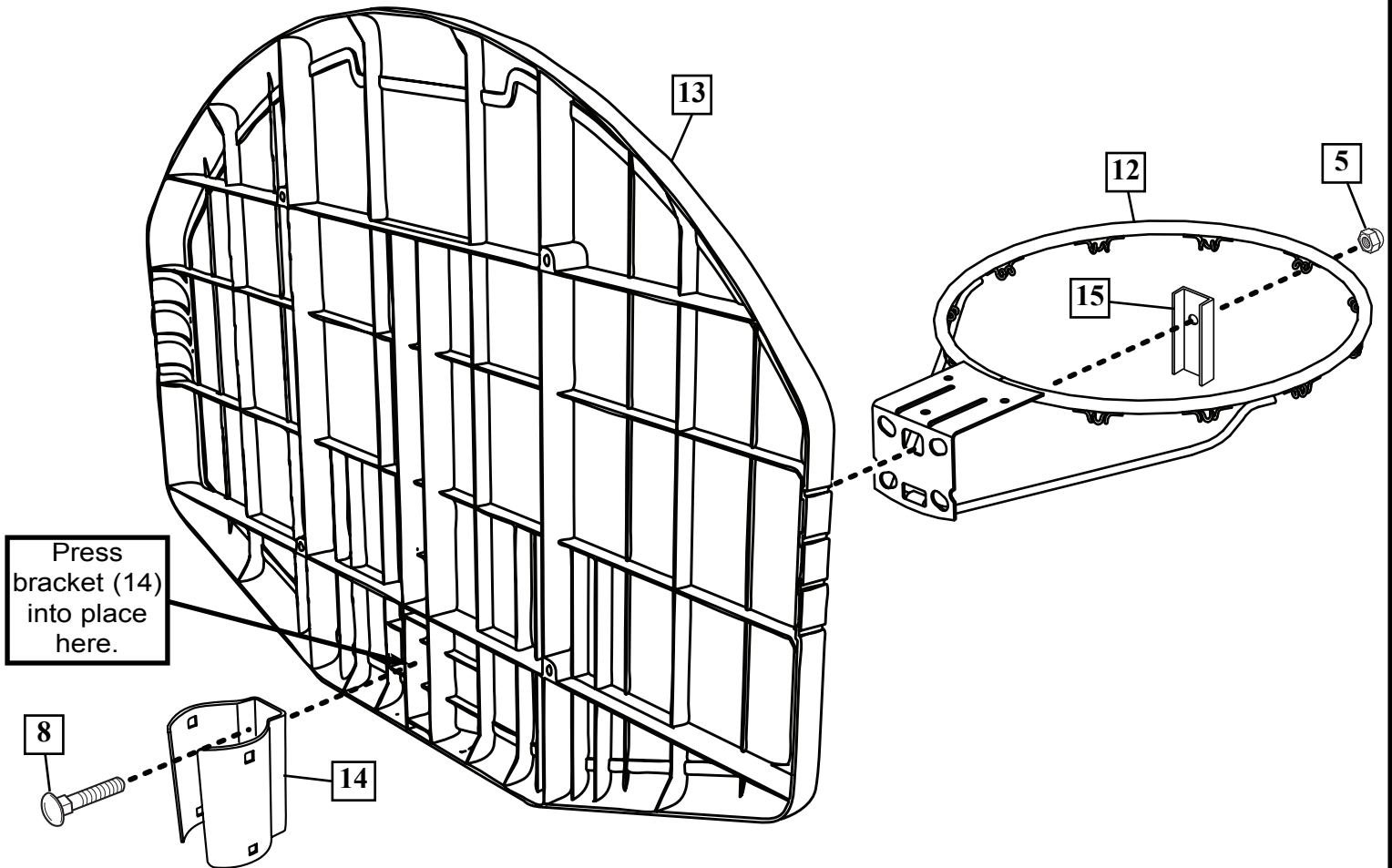
5.

Rotate struts down and bend struts outward to line up with holes on base as shown. Secure free ends of base struts to base with carriage bolt (20), and nut (5) as shown. Repeat for other side.

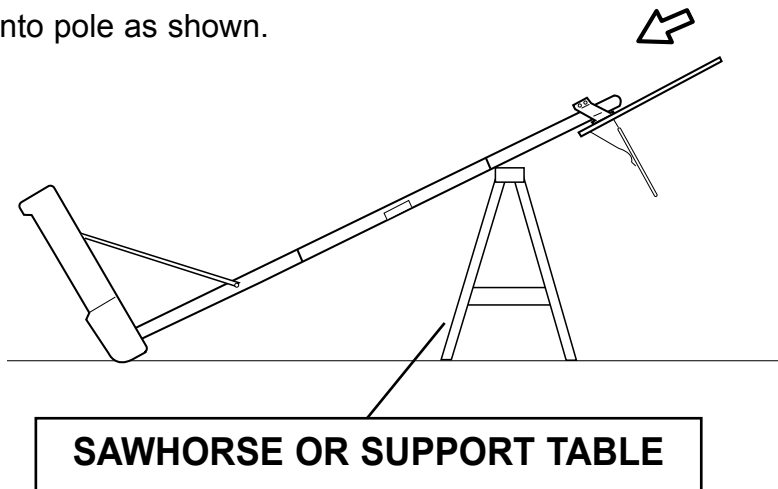


6.

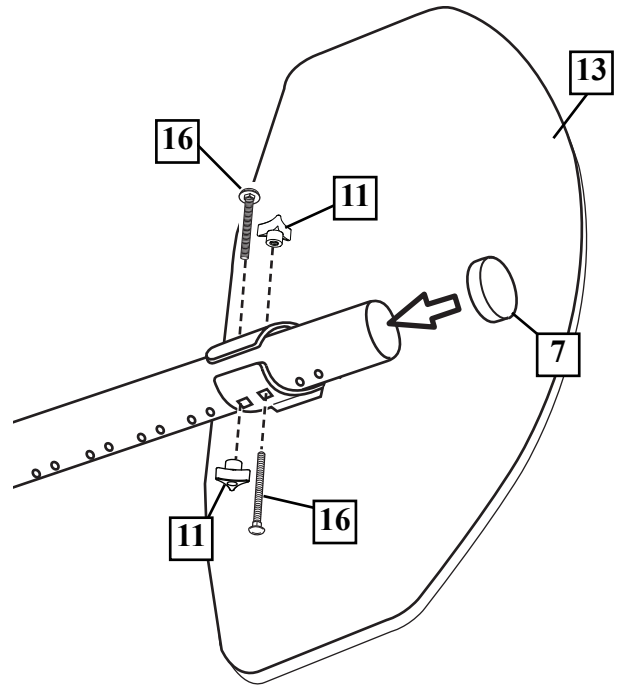
Pole bracket will need to be lightly pressed into backboard ribbing. Be sure to press completely into place. Attach rim to backboard and pole bracket (14) with nut (5), reinforcement bracket (15), and carriage bolt (8) as shown. Tighten nut completely.



Carefully tip unit forward and slide backboard assembly onto pole as shown.



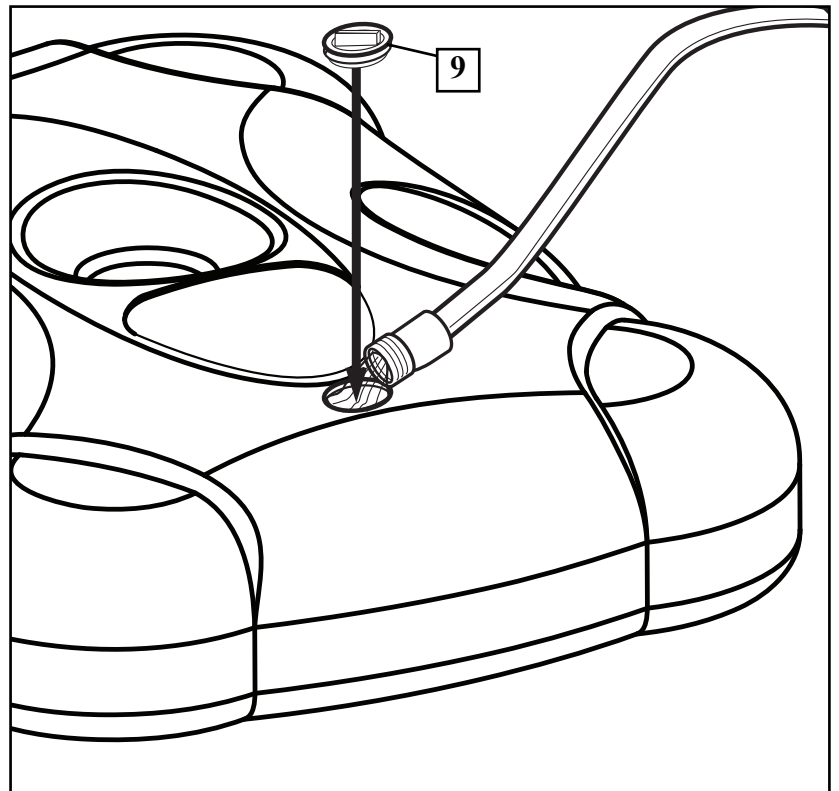
- 7.** Attach board assembly to pole with carriage bolts (16) and knobs (11) as shown. Install pole cap (7) as shown.



- 8.** Place assembled unit in desired location. Fill base completely with water (14 gallons / 53 liters) or sand (approx. 170 lb./77 kg) and snap base cap (9) in place.

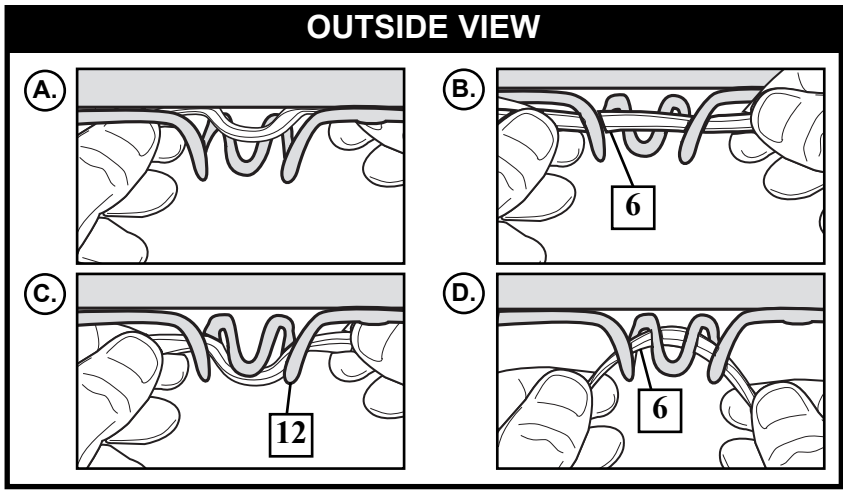
	CAUTION! ADD ONE GALLON (3.78 LITERS) OF NON-TOXIC ANTIFREEZE IN SUB-FREEZING CLIMATES.
--	---

	NOTE: <u>IF USING SAND:</u> 1 GALLON OF ANTI-FREEZE IS <u>NOT</u> REQUIRED
--	---



9.

Install net (6).



10.

Apply height adjustment label (23) to front of pole as shown. Height adjustment from 4-1/2' - 6-1/2'.



⚠ WARNING!

READ AND UNDERSTAND

FAILURE TO FOLLOW OPERATING INSTRUCTIONS COULD RESULT IN INJURY OR DAMAGE TO PROPERTY.

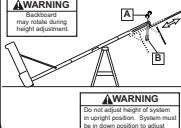
23

HEIGHT ADJUSTMENT

Rise unit on support table. Remove adjustment knob (A) and carriage bolt (B) to unlock or adjust backboard and rim. Height adjustment from 4'-1/2" - 6'-1/2".

⚠ WARNING

may result in serious injury or property damage.



Do not adjust height of system to upright position to adjust. Use to adjust position to desired height.

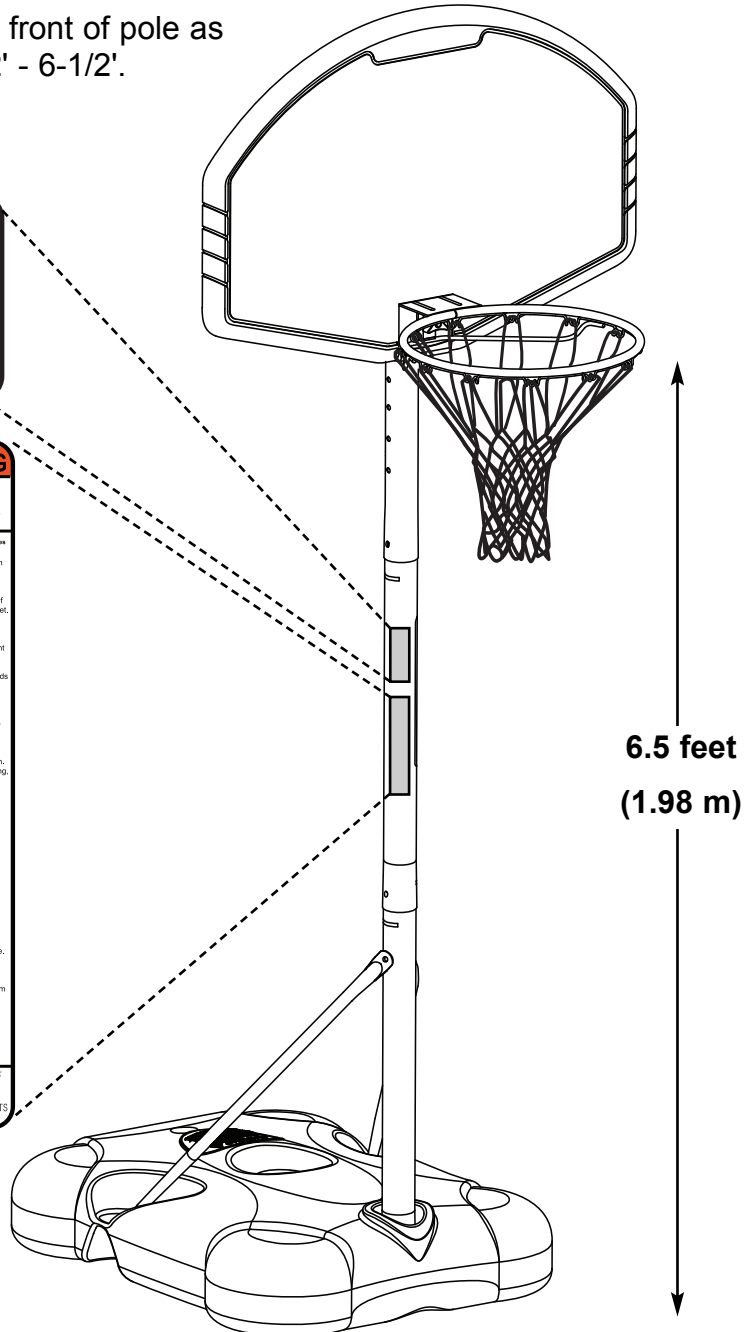
⚠ WARNING

Read and understand warnings listed below before using this product.

Failure to follow these warnings may result in serious injury and/or property damage.

Owner must ensure that all players know and follow these rules for safe operation of the system.

- DO NOT MIND on the rim or any part of the system including backboard, support braces or net.
- During play, especially when performing dunk type activities, keep player's face away from the backboard, rim and net. Serious injury could occur if teeth/face come in contact with backboard, rim or net.
- Do not slide, climb, shake or play on base and/or pole.
- After assembly is complete, fill system completely with water or sand. Never leave system in an upright position without filling base with weight, as system may tip over causing injuries.
- When adjusting height or moving system, keep hands and fingers away from moving parts.
- Do not allow children to move or adjust system.
- During play, do not wear jewelry (rings, watches, necklaces, etc.). Objects may entangle in net.
- Surface beneath the base must be smooth and free of gravel or other sharp objects. Punctures cause leakage and could cause system to tip over.
- Keep organic material away from pole base. Grass, litter, etc. could cause corrosion and/or deterioration.
- Check pole system for signs of corrosion (rust, pitting, chipping) and repair with exterior enamel paint. If rust has penetrated through the steel anywhere, replace pole immediately.
- Check system before each use for proper ballast, loose hardware, excessive wear and signs of corrosion and repair before use.
- Check system before each use for instability.
- Do not use system during windy and/or severe weather conditions; system may tip over. Place system in the storage position and/or in an area protected from the wind and free from personal property and/or overhead wires.
- Never play on damaged equipment.
- When moving system, use caution to keep mechanism from shifting.
- Keep pole top covered with cap at all times.
- Do not allow water in tank to freeze. During sub-freezing weather add 2 gallons of non-toxic antifreeze, sand or empty tank completely and store. (Do not use salt.)
- While moving system, do not allow anyone to stand or sit on base or have added ballasting on base. Do not leave system unattended or play on system when wheels are engaged for moving.
- Use caution when moving system across uneven surfaces. System may tip over.
- Use extreme caution if placing system on sloped surface. System may tip over more easily.
- See instruction manual for proper installation and maintenance.

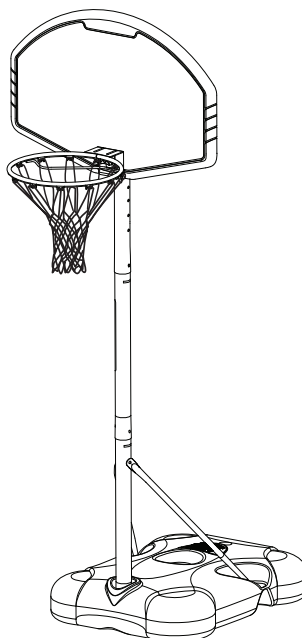


Systeme portable - Manuel de l'utilisateur

Gebrauchsanleitung für tragbare Systeme

Manual del Propietario del Sistema Portátil

Manuale di istruzioni del sistema portatile



FRANÇAIS
DEUTSCH
ESPAÑOL
ITALIANO



88 / 378-UK-003
Tech File at
De Ruyumbeke,
France

European Technical File:
De Ruyumbeke
20 Bd Bourre
13008 Marseille, France

Assemblage exclusivement réservé à un adulte.

Zusammenbau nur durch Erwachsene.

Se requiere que un adulto realice el montaje.

Il montaggio va eseguito da persone adulte.



REMARQUE: / HINWEIS: NOTA: / NOTA:

Placez l'ensemble à 2 m minimum de bâtiments, eau et électricité. Réservé à un usage familial et domestique.

Die Vorrichtung in einer Entfernung von mindestens 2 m (6' 7") von Gebäuden, Gewässern und Stromquellen aufstellen. Nur zum Gebrauch in der Familie und zu Hause.

Coloque la unidad a una distancia mínima de 6 pies 7 pulgadas (2 metros) de edificios, agua y electricidad. Sólo para uso familiar y doméstico.

Installare il sistema ad una distanza di almeno 2 metri (6' 7") da edifici, acqua ed utenze elettriche. Esclusivamente per uso domestico.



AVERTISSEMENT! WARNUNG! ¡ADVERTENCIA! AVVERTENZA!



LISEZ CE MANUEL D'UTILISATION AVANT D'UTILISER CET APPAREIL

SOUS PEINE DE BLESSURES OU DE DÉGÂTS MATÉRIELS.

DAS BENUTZERHANDBUCH VOR GEBRAUCH DIESES PRODUKTS SORGFÄLTIG DURCHLESEN.

EIN MISSACHTEN DIESER BETRIEBSANLEITUNG KANN VERLETZUNGEN ODER SACHSCHÄDEN ZUR FOLGE HABEN.

LEA Y ENTIENDA EL MANUAL DEL OPERADOR ANTES DE USAR ESTA UNIDAD.

SI NO SE SIGUEN LAS INSTRUCCIONES DE OPERACIÓN SE PODRÍA OCASIONAR UNA LESIÓN O DAÑOS A LA PROPIEDAD.

PRIMA DI USARE IL SISTEMA, LEGGERE IL MANUALE DI ISTRUZIONI FINO A COMPRENDERLO A FONDO.

L'INOSSERVANZA DELLE ISTRUZIONI POTREBBE TRADURSI IN GRAVI INFORTUNI E/O DANNI ALLE COSE.



AVERTISSEMENT! / WARNUNG! ¡ADVERTENCIA! / AVVERTENZA!



INTERDIT AUX ENFANTS DE MOINS 3 ANS EN RAISON DE PIÈCES DE PETITE TAILLE/D'UN DANGER D'ÉTOUFFEMENT.

WEGEN KLEINTEILEN/ERSTICKUNGSGEFAHR NICHT FÜR KINDER UNTER DREI JAHREN GEEIGNET.

NO ES ADECUADO PARA NIÑOS MENORES DE TRES AÑOS DE EDAD DEBIDO A QUE CONTIENE PIEZAS PEQUEÑAS QUE REPRESENTAN UN RIESGO DE ASFIXIA.

NON IDONEO A BAMBINI DI ETÀ INFERIORE AI 3 ANNI, A CAUSA DEL PERICOLO DI SOFFOCAMENTO DOVUTO ALLA PRESENZA DI PEZZI DI DIMENSIONI RIDOTTE.




Numéro vert du Service clientèle - États-Unis: 1-800-558-5234, Canada: 1-800-2284-8339, Europe: 00 800 555 85234 (Suède : 009 555 85234), Australie: 1300 367 582 Adresse Internet: www.spalding.com www.spalding.com.au

Gebührenfreie Telefonnummer für die USA: 1-800-558-5234, für Kanada: 1-800-284-8339, für Europa: 00 800 555 85234 (Schweden: 009 555 85234), für Australien: 1300 367 582 Internet-Adresse: www.spalding.com www.spalding.com.au

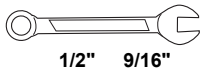
Número telefónico sin costo del Departamento de Servicio al Cliente en EE.UU.: 1-800-558-5234, Para Canadá: 1-800-284-8339, Para Europa: 00 800 555 85234 (Suecia: 009 555 85234), Para Australia: 1300 367 582 Dirección en Internet: www.spalding.com www.spalding.com.au

Numero verde Assistenza Clienti per gli Stati Uniti: 1-800-558-5234, Per il Canada: 1-800-284-8339, Per l'Europa: 00 800 555 85234 (Svezia: 009 555 85234), Per l'Australia: 1300 367 582 Indirizzo Internet: www.spalding.com www.spalding.com.au

OUTILS ET MATÉRIEL REQUIS:

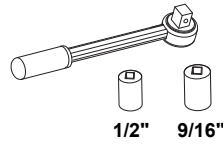
-  • Deux (2) adultes capables
-  • Planche en bois (chute)
-  • Chevalet de sciage ou table

- Deux clés et/ou clés à douilles et deux douilles (douilles longues recommandées).



1/2" 9/16"

ET/OU



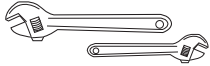
1/2" 9/16"

- Tuyau d'arrosage ou sable






OUTILS ET MATÉRIEL FACULTATIFS:

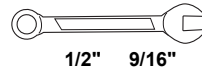
- Petites et grandes clés anglaises



BENÖTIGTE WERKZEUGE UND MATERIALIEN:

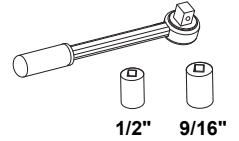
-  • Zwei (2) zur Ausführung dieser Arbeit fähige Erwachsene
-  • Holzstück (Ausschuß)
-  • Sägebock oder Stütztisch

- (je 2) Schrauben - und/oder Steckschlüssel (tiefe Einsätze empfohlen).



1/2" 9/16"

UND/ODER



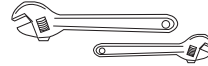
1/2" 9/16"

- Gartenschlauch oder Sand






WEITERE NÜTZLICHE WERKZEUGE UND MATERIALIEN:

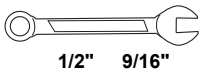
- Große und kleine verstellbare Schraubenschlüssel



HERRAMIENTAS Y MATERIALES REQUERIDOS:

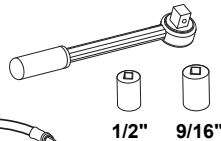
-  • Dos (2) adultos capaces
-  • Tabla de madera (un trozo)
-  • Caballete o mesa de apoyo

- (2 de cada una) llaves de tuercas y/o llaves de tuercas de boca tubular y casquillos (se recomiendan casquillos profundos).



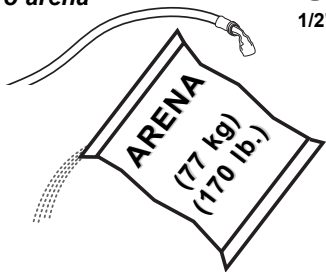
1/2" 9/16"

Y/O



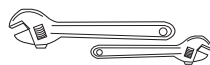
1/2" 9/16"

- Manguera de jardín o arena






HERRAMIENTAS Y MATERIALES OPCIONALES:

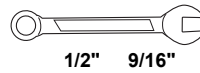
- Llaves de tuercas ajustables grandes y pequeñas



MATERIALI NECESSARI:

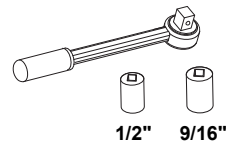
-  • Due (2) adulti abili
-  • Tavoletta di legno
-  • Cavalletto o tavolo di appoggio

- (2) chiavi e/o chiavi a bussola e bussole



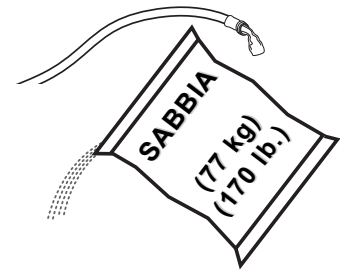
1/2" 9/16"

E/O



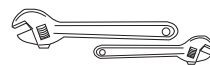
1/2" 9/16"

- Canna da giardino o sabbia



UTENSILI E MATERIALI OPZIONALI:

- Chiavi inglesi grande e piccola



AVERTISSEMENT

Lisez les avertissements indiqués ci-dessous avant d'utiliser ce produit, sous peine d'encauser des blessures graves et/ou des dégâts matériels.

Le propriétaire doit s'assurer que tous les joueurs connaissent et suivent ces règles d'utilisation sûre du système.

- **NE VOUS SUSPENDEZ PAS** sur le cerceau ou sur une autre partie du système, y compris le panneau, les supports ou le filet.
- Durant le jeu, en particulier lorsque vous faites un smash, gardez le visage à l'écart du panneau, du cerceau et du filet. Risque de blessures graves si les dents ou le visage viennent heurter le panneau, le cerceau ou le filet.
- Ne glissez et ne montez pas sur le socle et/ou le poteau, ne les secouez pas et ne jouez pas dessus.
- Une fois le montage terminé, remplissez complètement le système d'eau ou de sable. Ne laissez jamais le système à la verticale sans lester le socle, car le système risque de basculer et de causer des blessures.
- Lorsque vous réglez la hauteur ou que vous déplacez le système, gardez les mains et les doigts à l'écart des pièces en mouvement.
- Interdisez aux enfants de déplacer ou de régler le système.
- Avant le jeu, retirez vos bijoux (bagues, montres, colliers, etc.). Ces objets peuvent se prendre dans le filet.
- La surface située sous le socle doit être lisse, sans gravier ou autres objets coupants. Les perforations causent des fuites et risquent de faire basculer le système.
- Maintenez les substances organiques à l'écart du socle du poteau. L'herbe, les ordures, etc. risquent de causer la corrosion et/ou la détérioration du système.
- Vérifiez l'état du système (signes de corrosion comme rouille, piqûres, écaillage) et repeignez avec de la peinture email pour extérieur. Si de la rouille a piqué l'acier en tout point, remplacez immédiatement le poteau.
- Vérifiez le système avant chaque utilisation (lest, visserie mal serrée, usure excessive et signes de corrosion) et réparez avant utilisation.
- Vérifiez la stabilité du système avant chaque utilisation.
- N'utilisez pas le système les jours de vent fort et/ou de tempête : le système risque de se renverser. Placez le système dans sa position de stockage et/ou dans un lieu protégé du vent et loin de biens personnels et/ou câbles suspendus.
- Ne jouez jamais sur du matériel abîmé.
- Lorsque vous déplacez le système, soyez prudent pour empêcher le mécanisme de se déséquilibrer.
- Maintenez le poteau bouché à tout moment.
- Ne laissez pas geler l'eau du socle. Par moins de 0 degrés Celsius, ajoutez 8 litres d'antigel non toxique ou du sable, ou bien videz complètement et stockez.
- (N'utilisez pas de sel.)
- Durant le déplacement du système, personne ne doit se tenir debout ou assis sur son socle, ni surfer le socle.
- Ne laissez pas le système sans supervision et ne jouez pas sur le système lorsque les roues se sont enclenchées pour le déplacement.
- Soyez prudent lorsque vous déplacez le système sur des surfaces irrégulières, car il risque de basculer.
- Soyez extrêmement prudent si vous placez le système sur une déclivité. Il risque de se renverser plus facilement.
- Pour les instructions d'installation et d'entretien, reportez-vous au guide fourni.

SPALDING
Aut. États-Unis : 1-800-772-5346
En Australie : 1-800-387-5282

SURESTEP
Aut. États-Unis : 1-800-772-5346

RUSSELL
Les marques commerciales
sont de la propriété de
Russell Sports, Inc.
Tous droits réservés.

HUFFY SPORTS
Aut. États-Unis : 1-800-298-4339

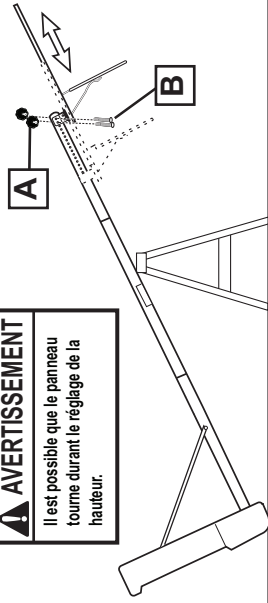
HYDRA-RIB
Aut. États-Unis : 1-800-384-1111

HUFFY SPORTS
Aut. États-Unis : 1-800-298-4339

RÉGLAGE DE LA HAUTEUR

Posez l'ensemble sur une table. Retirez les boutons de réglage (A) et les boulons ordinaires (B) pour allonger ou rétracter le panneau et le cerceau. Réglage de la hauteur entre 1,37 m et 1,98 m.

AVERTISSEMENT
Il est possible que le panneau tourne durant le réglage de la hauteur.



AVERTISSEMENT

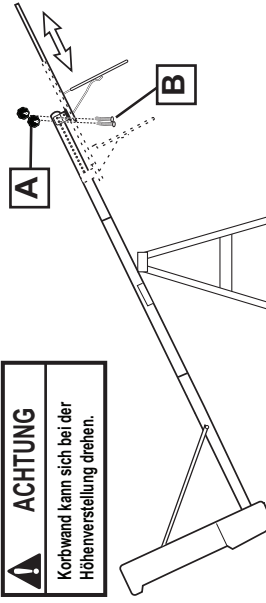
Ne réglez pas la hauteur avec le système à la verticale. Pour cette opération, le système doit être allongé.

FR558170 11/05

HÖHENEINSTELLUNG

Die Vorrichtung auf einem Stützisch ablegen. Die Einstellknopfregler (A) und Schlossschrauben (B) entfernen, um Korbwand und Korbwand zu verlängern oder zu verkürzen. Höhenverstellung zwischen 1,37 m (4,5') und 1,98 m (6,5').

ACHTUNG
Korbwand kann sich bei der Höhenverstellung drehen.



ACHTUNG

Die Höhe nicht bei aufrecht stehendem System einstellen. Das System muss für die Höhenverstellung auf dem Boden liegen.

GE-558170 07/05

ACHTUNG

Vor Gebrauch dieses Produkts die nachstehenden Warnhinweise lesen und beachten.

Ein Missachten dieser Warnung kann zu schweren Verletzungen und/oder Sachschäden führen.

Der Eigentümer muss sicherstellen, dass alle Spieler diese Regeln für einen sicheren Betrieb des Systems kennen und befolgen.

- **NICHT** am Korbwand oder irgendeinem anderen Teil des Systems, ehsch, Korbwand, Stützstreben oder Netz HÄNGEN.
- Während des Spielbetriebs, besonders bei Slam-Dunk-Manövern, müssen die Spieler ihr Gesicht von Korbwand, Korbwand und Netz fern halten. Der Kontakt von Zähnen/Gesicht mit der Korbwand, dem Korbwand oder dem Netz kann schwere Verletzungen zur Folge haben.
- Nicht auf dem Sockel und/oder der Stange herumrutschen, klettern, daran rütteln oder damit spielen.
- Nach dem Zusammenbau das System ganz mit Wasser oder Sand füllen. Das System niemals in aufrechter Position stehen lassen, ohne den Sockel zu beschweren, da es andernfalls umkippen und Verletzungen verursachen kann.
- Beim Einstellen der Höhe oder beim Transport des Systems Hände und Finger von beweglichen Teilen fern halten.
- Kindern darf das Verschieben oder Einstellen des Systems nicht gestattet werden.
- Beim Spielen keinen Schmuck (Ringe, Armbänder, Halsketten usw.) tragen. Gegenstände dieser Art können sich im Netz verfangen.
- Die Oberfläche unter dem Sockel muss glatt und frei von Kies oder anderen scharfkantigen Gegenständen sein. Lächer verursachen Lecks und können ein Umkippen des Systems zur Folge haben.
- Organische Materialien vom Stangensockel fern halten. Gras, Abfälle usw. können Korrosion und/oder Abbauserscheinungen verursachen.
- Das Stangensystem auf Anzeichen von Korrosion (Rost, Nadelbildung, Abblättern) untersuchen und mit Emaljaußenanstrich neu lackieren. Wenn sich ein irgendeiner Stelle Rost durch den Stahl hindurch gesehen hat, muss die Stange sofort ersetzt werden.
- Das System vor jeder Benutzung auf den richtigen Ballast, lose Befestigungsteile, übermäßige Anstricherscheinungen und Anzeichen von Korrosion untersuchen; vor jedem Einsatz entsprechende Korrekturmaßnahmen bzw. Reparaturen durchführen.
- Die Stabilität des Systems vor jedem Gebrauch überprüfen.
- Das System nicht bei windigen und/oder unwirtlichen Witterungsverhältnissen benutzen, da es unter diesen Umständen umkippen kann. Das System in seine Lagerposition versetzen und/oder in einen windgeschützten Bereich bringen, in dem sich weder Sachwerte noch überirdische Kabel befinden.
- Niemals an bzw. mit einer beschädigten Ausrüstung spielen.
- Beim Transport des Systems darauf achten, dass sich der Mechanismus nicht verschiebt.
- Das obere Stangenelement muss jederzeit mit einer Kappe abgedeckt sein.
- Das Wasser im Tank darf keinesfalls gefrieren. Bei Gefrieremperaturen den Tank mit 7,5 l eines ungiftigen Gefrierschutzmittels oder Sand füllen oder ihn völlig entleeren und lagern. (Kein Salz verwenden.)
- Beim Verschieben des Systems darf niemand auf dem Sockel stehen oder sitzen oder diesen mit zusätzlichem Ballast beschwert haben.
- Das System nicht unbeaufsichtigt lassen oder damit spielen, wenn die Räder zum Transport eingestellt sind.
- Beim Transport des Geräts über ebene Flächen vorsichtig vorgehen. Das System kann umkippen.
- Beim Aufstellen des Systems auf einer geeigneten Fläche mit großer Vorsicht vorgehen. Das System kann unter diesen Bedingungen leichter umkippen.
- Die ordnungsgemäße Installation und Wartung ist dem Gebrauchshandbuch zu entnehmen.

SPALDING
Aut. États-Unis : 1-800-772-5346
En Australie : 1-800-387-5282

SURESTEP
Aut. États-Unis : 1-800-772-5346

RUSSELL
Les marques commerciales
sont de la propriété de
Russell Sports, Inc.
Tous droits réservés.

HUFFY SPORTS
Aut. États-Unis : 1-800-298-4339

HYDRA-RIB
Aut. États-Unis : 1-800-384-1111

ADVERTENCIA

Lea y entienda las advertencias que se encuentran a continuación antes de usar este producto.

Si no se observan estas advertencias se podrían causar lesiones graves y/o daños materiales.

El propietario debe asegurarse de que todos los jugadores conozcan y obedezcan estas reglas para la operación segura del sistema.

- **NO SE CUELQUE** del borde ni de ninguna parte del sistema, inclusive el respaldo, las abrazaderas de apoyo y la red.
- Durante el juego, especialmente cuando se realizan actividades de tipo clavada (dunk), el jugador debe mantener la cara alejada del respaldo, el borde y la red. Si los dientes o la cara entran en contacto con el respaldo, el borde o la red, se puede sufrir una lesión grave.
- No se deslice, suba, sacuda ni juegue en la base y/o en poste.
- Cuando complete el montaje, llene completamente el sistema con agua o arena. Nunca deje el sistema en posición vertical sin llenar la base con un peso, ya que el sistema se podría caer y causar lesiones.
- Al ajustar la altura o mover el sistema mantenga las manos y los dedos alejados de las partes móviles.
- No permita que los niños jueguen o ajusten el sistema.
- Durante el juego, no use joyería (anillos, relojes, collares, etc.). Estos objetos se podrían atorar en la red.
- La superficie debajo de la base se debe mantener lisa y sin grietas ni otros objetos filosos. Las perforaciones pueden causar fugas y provocar que el sistema se caiga.
- Mantenga los materiales orgánicos alejados de la base del poste. El césped, la basura, etc. podrían causar corrosión y/o deterioro de la base del poste.
- Revise que el sistema del poste no tenga señales de corrosión (oxidación, picaduras, desconchaduras) y si las tiene vuelva a pintar con pintura de esmalte para exteriores. Si la corrosión penetra a través del acero en cualquier área, reemplácelo inmediatamente el poste.
- Antes de cada uso revise el sistema para verificar que esté adecuadamente equilibrado, que no tenga herraje suelto, desgaste excesivo ni signos de corrosión, y repárelo si es necesario.
- Verifique la estabilidad del sistema antes de cada uso.
- **NO** use el sistema durante condiciones climáticas severas y/o con mucho viento, ya que el sistema se podría caer. Coloque el sistema en posición de almacenamiento y/o en un área protegida del viento y sin propiedad personal y/o cables suspendidos.
- Nunca juegue en equipo dañado.
- Cuando mueva el sistema, tenga cuidado para evitar que el mecanismo cambie de lugar.
- Siempre mantenga la parte superior del poste cubierta con la tapa.
- No permita que el agua del tanque se congele. En clima con temperaturas de congelamiento añada dos galones de anticongelante no tóxico, arena, o vacíe completamente el tanque y almacénelo. (No use sal.)
- Al mover el sistema no permita que nadie se pare o sienta en la base o añada lastre adicional en la base.
- No deje el sistema sin supervisión ni juegue en el sistema cuando las ruedas estén embrogadas para rodar.
- Tenga cuidado al mover el sistema sobre superficies irregulares. El sistema se podría ladear.
- Use extremado cuidado si va a colocar el sistema en una superficie inclinada. El sistema se podría caer más fácilmente.
- Consulte el manual de instrucciones para ver la instalación y el mantenimiento adecuados.

SPALDING
New York, USA 1-800-772-5346
En Canadá: 1-800-294-8339
En México: 1-800-987-592

SURE SHOT
New York, USA 1-800-772-5346
En Canadá: 1-800-294-8339

HYDRA-RIB
Aurville Erie-Utt. 1-800-334-8111

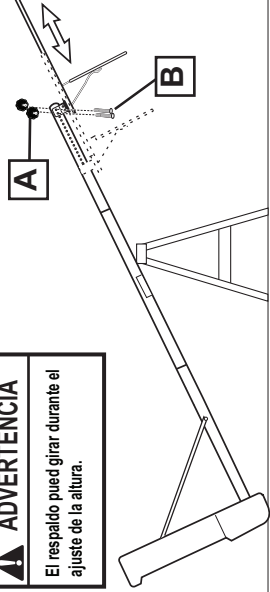
RUSSELL
Las marcas registradas.
regulaciones en EEUU y otros países.
NIP: SP5582002 0312

HUFFYSPORTS
New York, USA 1-800-987-5324
En Canadá: 1-800-294-8339

AJUSTE DE LA ALTURA

Coloque la unidad sobre la mesa de apoyo. Retire las perillas de ajuste (A) y los pernos cabeza de carro (B) para extender o retraer el respaldo y el borde. Ajuste de la altura de 4.5 a 6.5' (1.37 a 1.98 m).

ADVERTENCIA
El respaldo puede girar durante el ajuste de la altura.



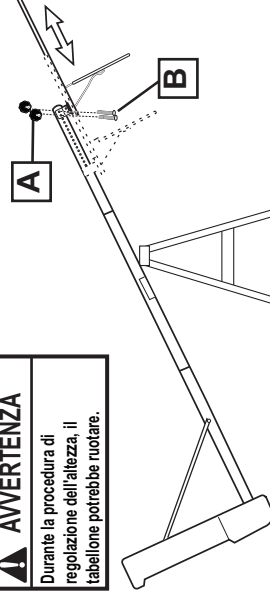
ADVERTENCIA
No ajuste la altura del sistema mientras se encuentre en posición vertical. El sistema debe estar en posición horizontal para ajustarlo.

SP558170 07/05

REGOLAZIONE DELL'ALTEZZA

Poggiare il sistema sul tavolo di appoggio. Rimuovere le manopole di regolazione (A) e i bulloni a legno (B) per allungare o retrarre il tabellone e il cerchio. Regolazione dell'altezza del canestro da 1,37 m a 1,98 m.

ADVERTENZA
Durante la procedura di regolazione dell'altezza, il tabellone potrebbe ruotare.



ADVERTENZA
Non regolare l'altezza del canestro con il sistema in posizione eretta. Per tale operazione, il sistema deve essere abbassato.

IT558170 07/05

ADVERTENCIA



Prima di usare questo prodotto, leggere le avvertenze elencate di seguito fino a comprenderle a fondo. L'inesoranza di queste avvertenze può tradursi in gravi infortuni e/o danni alle cose.

Per garantire il funzionamento in sicurezza del sistema, il proprietario deve accertarsi che tutti i giocatori siano a conoscenza di queste regole e le rispettino.

- **NON AGGRAPPARSI** al cerchio o a qualsiasi parte del sistema compreso il tabellone, le stoffe di sostegno e la rete.
- Durante il gioco, in particolare quando vengono eseguite delle attività di schiacciata della palla, il giocatore deve tenere il volto lontano dal tabellone, dal cerchio e dalla rete. Il contatto dei denti o del volto con il tabellone, con il cerchio o con la rete potrebbe tradursi in gravi infortuni.
- Non scivolane, salire, scuotere né giocare sulla base e/o sul palo.
- Dopo aver completato la procedura di assemblaggio, riempire completamente il sistema con acqua o sabbia. Non lasciare mai il sistema in posizione verticale senza averne prima appesantito bene la base, altrimenti il sistema potrebbe rovesciarsi provocando infortuni.
- Mentre il sistema viene regolato in altezza o anche spostato, tenere le mani e le dita lontano dalle parti in movimento.
- Non permettere ai bambini di spostare né di regolare il sistema.
- Durante il gioco, non indossare gioielli (anelli, orologi, catene, ecc.). Tali oggetti potrebbero impigliarsi nella rete.
- La superficie sottostante alla base deve essere ben levigata e priva di ghiaietto od altri oggetti appuntiti. Eventuali forature della base provocano perdite che possono causare il rovesciamento del sistema.
- Tenere lontano dalla base del palo materiali organici, come erba, spazzatura, ecc., che potrebbero causare corrosione o deterioramento.
- Controllare il sistema del palo per eventuali segni di corrosione (ruggine, screpolature, scagliature) e rinvierirlo con smalto da esterni. Se la ruggine è penetrata nell'acciaio in qualsiasi punto, sostituire immediatamente il palo.
- Prima di ogni impiego, controllare che il sistema sia in equilibrio, non presenti elementi di fissaggio allentati, usura eccessiva e segni di corrosione; riparare il sistema prima di usarlo.
- Controllare la stabilità del sistema prima di utilizzarlo.
- Non utilizzare il sistema in presenza di venti forti e/o in condizioni climatiche severe; il sistema potrebbe rovesciarsi. Mettere il sistema in posizione di magazzino e/o in un luogo protetto dal vento che sia libero da oggetti e/o da cavi elettrici sospesi.
- Non giocare mai con un sistema danneggiato.
- Quando il sistema viene spostato, prestare attenzione che il suo meccanismo non venga a muoversi.
- Tenere sempre la parte più alta del palo coperta con il tappo.
- Non lasciare che l'acqua all'interno del serbatoio venga a congelarsi. A temperature al di sotto dello zero, la sabbia oppure svuotare il serbatoio completamente e conservare il sistema (non usare del sale).
- Quando il sistema viene spostato, non permettere a nessuno di rimanere o sedere sulla base né di aggiungere alcun peso (zavorra) alla base.
- Non allontanarsi dal sistema né giocare con il sistema quando le sue ruote sono predisposte al movimento.
- Fare particolare attenzione a spostare il sistema lungo superfici non levigate perché lo stesso potrebbe rovesciarsi.
- Fare particolare attenzione quando il sistema viene sistemato su una superficie scoscesa, in quanto potrebbe rovesciarsi più facilmente.
- Per l'installazione e la manutenzione appropriate, consultare il manuale delle istruzioni.

SPALDING
New York, USA 1-800-772-5346
En Canadá: 1-800-294-8339
En México: 1-800-987-592

SURE SHOT
New York, USA 1-800-772-5346
En Canadá: 1-800-294-8339

HYDRA-RIB
Aurville Erie-Utt. 1-800-334-8111

RUSSELL
Las marcas registradas.
regulaciones en EEUU y otros países.
NIP: SP5582002 0312

HUFFYSPORTS
New York, USA 1-800-987-5324
En Canadá: 1-800-294-8339

! CONSIGNES DE SÉCURITÉ!

SUIVEZ CES CONSIGNES DE SÉCURITÉ SOUS PEINE DE PROVOQUER DES BLESSURES GRAVES, DES DÉGÂTS MATÉRIELS ET L'ANNULLATION DE LA GARANTIE.

Le propriétaire doit s'assurer que tous les joueurs connaissent et suivent ces règles d'utilisation sûre du système.

Par mesure de sécurité, n'essayez pas de monter ce système sans suivre scrupuleusement les instructions. Un montage, une utilisation et une supervision corrects et complets sont indispensables à un bon fonctionnement et à la réduction des risques d'accident ou de blessure. Des blessures graves sont très probables si le système n'est pas installé, entretenu et utilisé correctement.

- Si vous utilisez une échelle en cours de montage, soyez extrêmement prudent.
- Vérifiez régulièrement le socle pour vous assurer qu'il ne fuit pas. Les petites fuites risquent d'entraîner le basculement intempestif du système.
- Emboîtez correctement les sections de poteau (le cas échéant). Elles risquent sinon de se déboîter en cours de jeu et/ou de transport du système.
- Les conditions climatiques, la corrosion ou une mauvaise utilisation risquent de provoquer la panne du système.
- Pour toute assistance technique, contactez le service clientèle.

La plupart des blessures sont causées par une mauvaise utilisation et/ou le non-respect des instructions. Soyez prudent lorsque vous utilisez ce système.

! ¡INSTRUCCIONES DE SEGURIDAD!

EL INCUMPLIMIENTO DE ESTAS INSTRUCCIONES DE SEGURIDAD PUEDE DAR COMO RESULTADO LESIONES GRAVES, DAÑOS MATERIALES Y ANULAR LA GARANTÍA.

El propietario debe asegurarse de que todos los jugadores conozcan y obedezcan estas reglas para la operación segura del sistema.

Por su seguridad, no intente montar este sistema sin seguir cuidadosamente las instrucciones. Es esencial el montaje completo, y el uso y la supervisión adecuados para la operación correcta del sistema y para reducir el riesgo de accidentes o lesiones. Existe una alta probabilidad de sufrir lesiones graves si este sistema no se instala, mantiene y opera adecuadamente.

- Tenga mucho cuidado si utiliza una escalera durante el montaje.
- Revise regularmente la base para detectar fugas. Las fugas lentas podrían causar que el sistema se caiera inesperadamente
- Asiente correctamente las secciones del poste (si aplica). Si no lo hace, las secciones del poste podrían separarse durante el juego y/o durante el transporte del sistema.
- El clima, la corrosión y el mal uso podrían ocasionar la falla del sistema.
- Si requiere asistencia técnica, comuníquese con el Departamento de Servicio al Cliente.

La mayoría de las lesiones son causadas por el uso inadecuado y/o por el incumplimiento de las instrucciones. Tenga cuidado cuando use esta unidad.

! SICHERHEITSHINWEISE

EIN MISSACHTEN DIESER SICHERHEITSHINWEISE KANN ZU SCHWEREN VERLETZUNGEN UND/ODER SACHSCHÄDEN FÜHREN UND MACHT DIE GARANTIE UNWIRKSAM.

Der Eigentümer muss sicherstellen, dass alle Spieler diese Regeln für einen sicheren Betrieb des Systems kennen und befolgen.

Aus Sicherheitsgründen darf dieses System nur unter sorgfältiger Beachtung der Anleitung zusammengebaut werden. Eine ordnungsgemäße und vollständige Montage, Verwendung und Aufsicht ist für den richtigen Betrieb und zur Reduzierung des Unfall- oder Verletzungsrisikos absolut erforderlich. Bei einer unsachgemäßen Installation und Wartung und bei einem falschen Betrieb dieses Systems besteht ein hohes Risiko schwerer Verletzungen.

- Bei Gebrauch einer Leiter während des Zusammenbaus extrem vorsichtig vorgehen.
- Den Sockel regelmäßig auf Leckstellen untersuchen. Langsam austretende Füllmittel können ein unerwartetes Umkippen des Systems verursachen.
- Die einzelnen Stangenteile richtig zusammenfügen (falls anwendbar). Andernfalls können sich die Stangenteile beim Spielbetrieb und/oder während des Transports des Systems voneinander lösen.
- Klimatische Bedingungen, Korrosion oder Fehlgebrauch kann zu Systemdefekten führen.
- Technische Unterstützung kann vom Kundendienst angefordert werden.

Die meisten Verletzungen werden durch einen Fehlgebrauch bzw. ein Missachten der Anleitungen verursacht. Bei der Verwendung dieses Geräts vorsichtig vorgehen.

! ISTRUZIONI PER LA SICUREZZA!

L'INOSSERVANZA DI QUESTE ISTRUZIONI DI SICUREZZA PUÒ TRADURSI IN GRAVI INFORTUNI E/O DANNI ALLE COSE E ANNULLERA LA GARANZIA.

Per garantire il funzionamento sicuro del sistema, il proprietario deve assicurarsi di ignorare le istruzioni per la sicurezza e le rispettare. Per garantire la sicurezza, non provare a montare questo sistema senza seguire attentamente le istruzioni. Il montaggio completo e corretto, l'impiego appropriato e la supervisione dell'uso del sistema sono essenziali per il suo giusto funzionamento e per ridurre al minimo il rischio di incidenti o infortuni. Se il sistema non viene installato, sottoposto a manutenzione e impiegato nel modo giusto, è molto probabile che avvengano gravi infortuni.

- Prestare particolare attenzione se per il montaggio del sistema si usa una scala.
- Controllare regolarmente la base, alla ricerca di eventuali perdite. Anche piccole perdite possono causare il rovesciamento imprevisto del sistema.
- Bloccare appropriatamente le sezioni del palo (se del caso). L'inosservanza di tale istruzione può causare la separazione delle stesse durante il gioco e/o il trasporto del sistema.
- Le condizioni climatiche, la corrosione e anche l'uso non appropriato del palo possono provocare guasti al sistema.
- Se si necessita di assistenza tecnica, contattare il servizio di assistenza alla clientela.

La maggior parte degli infortuni avviene a causa di uso improprio e/o di inosservanza delle istruzioni. Fare particolare attenzione durante l'impiego di questo sistema.



Des questions ou des pièces manquantes?

NE RETOURNEZ PAS au magasin!

Appelez le numéro du service clientèle (NUMÉRO GRATUIT) qui figure en première page!



Fragen oder fehlende Teile?

Gehen Sie NICHT zum Laden zurück!

Rufen Sie die GEBÜHRENFREIE Telefonnummer (in den USA und Kanada) auf der Vorderseite an!



¿Tiene preguntas o le faltan piezas?

¡NO regrese a la tienda!

¡Llame al número telefónico GRATUITO de Servicio al Cliente que se indica en la primera página!



Domande o componenti mancanti?

NON è necessario tornare al negozio!

Chiamare il NUMERO VERDE per l'assistenza alla clientela indicato in copertina!

AVIS AUX PERSONNES CHARGÉES DU MONTAGE

Assemblage exclusivement réservé à un adulte. Jetez TOUT le matériel d'emballage dans les plus brefs délais. Comme pour tous les produits pour enfants, inspectez périodiquement le serrage des pièces de petite taille.

Une fois assemblé, l'ensemble DOIT être rempli d'eau à TOUT MOMENT.

TOUS les systèmes de basket-ball Huffy Sports, y compris ceux utilisés en EXPOSITION, DOIVENT être assemblés et lestés de sable ou d'eau, selon les instructions. Suivez ces instructions sous peine d'encourir des BLESSURES GRAVES. Il est INACCEPTABLE de composer un système de lestage de fortune.

HINWEIS FÜR DIE PERSONEN, DIE DEN ZUSAMMENBAU DURCHFÜHREN

Zusammenbau nur durch Erwachsene ALLE Verpackungsmaterialien sofort wegwerfen. Wie alle für Kinder vorgesehene Produkte muss auch dieses regelmäßig auf lose Kleinteile inspiziert werden.

Die zusammengebaute Vorrichtung MUSS STETS mit Wasser gefüllt sein.

ALLE Basketballsysteme von Huffy Sports, einschließlich der zu Demonstrationszwecken benutzten Systeme, müssen gemäß der Montageanleitung zusammengebaut und mit Sand oder Wasser beschwert werden. Ein Missachten dieser Anleitung kann SCHWERE VERLETZUNGEN zur Folge haben. Zum Beschweren darf NICHT zu irgendwelchen Notbehelfsmaßnahmen gegriffen werden.

AVISO PARA LAS PERSONAS QUE REALIZAN EL MONTAJE

Il montaggio va eseguito da persone adulte. Eliminare prontamente TUTTI i materiali di imballaggio. Come per tutti gli articoli per bambini, ispezionare periodicamente il prodotto per verificare che non vi siano parti piccole allentate.

Il prodotto montato DEVE essere SEMPRE pieno d'acqua.

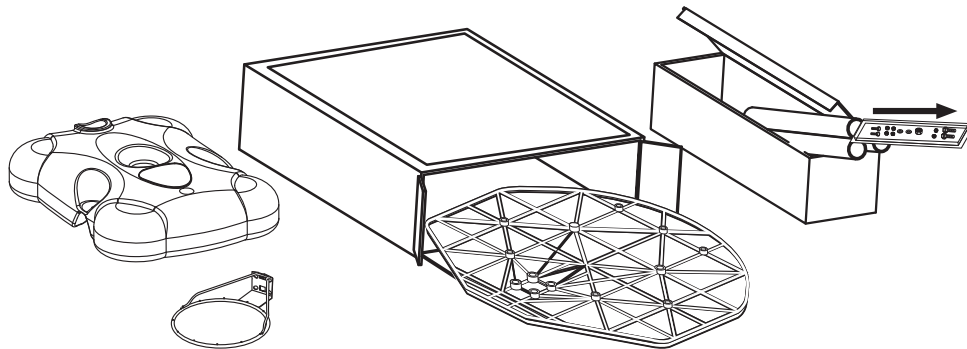
TODOS los sistemas de baloncesto de Huffy Sports, inclusive los usados para EXHIBICIÓN, DEBEN estar montados y equilibrados con arena o agua, de acuerdo con las instrucciones. Si se ignoran estas instrucciones se podría ocasionar una LESIÓN GRAVE. NO es aceptable improvisar un sistema de pesas provisional.

AVVISO A CHI MONTA IL SISTEMA

Se richiede che un adulto realice el montaje Deseche inmediatamente TODOS los materiales de embalaje. Al igual que con todos los productos infantiles, inspecciónelo para verificar que no tenga piezas pequeñas sueltas.

La unidad montada DEBE estar llena de agua en TODO momento.

TUTTI i sistemi da pallacanestro Huffy Sports, compresi quelli impiegati a scopo ESPOSITIVO, DEVONO essere montati e bilanciati con sabbia o acqua, a seconda delle istruzioni. La mancata osservanza delle istruzioni può tradursi in GRAVI INFORTUNI. La messa in opera di un sistema di bilanciamento alternativo è INACCETTABILE.



IMPORTANT!

Videz entièrement les boîtes.

Veillez à vérifier l'intérieur des sections de poteau.

La quincaillerie et des pièces supplémentaires sont emballées à l'intérieur.

WICHTIG!

Die Kartons vollständig auspacken.

Den Hohlraum in den Stangenteilen inspizieren.

Dort sind Befestigungs- und andere Kleinteile verpackt.

¡IMPORTANTE!

Saque todo el contenido de las cajas.

Asegúrese de revisar el interior de las secciones del poste.

Ahí se han empacado herraje y piezas adicionales.

IMPORTANTE!

Rimuovere dalle scatole tutti i componenti.

Controllare le sezioni del palo: gli elementi di fissaggio e altri componenti sono confezionati al loro interno.

Assemblage exclusivement réservé à un adulte.

Zusammenbau nur durch Erwachsene.

Se requiere que un adulto realice el montaje.

Il montaggio va eseguito da persone adulte.

Ce manuel, accompagné du justificatif d'achat, devra être conservé pour référence ultérieure, dans la mesure où il contient des informations importantes sur votre modèle.

Diese Anleitung sollte zusammen mit dem Kaufbeleg griffbereit aufbewahrt werden, da sie wichtige Informationen über Ihr Modell enthält.

Debe conservar este manual junto con el recibo de la compra y tenerlos disponibles como conveniente referencia, ya que contienen información importante sobre su modelo.

Il presente manuale, accompagnato dallo scontrino, deve essere conservato e tenuto a portata di mano come documento di facile consultazione, in quanto contiene informazioni importanti su questo modello.

Inscrivez ici le numéro de modèle qui apparaît sur la boîte:

Die Modellnummer vom Verpackungskarton hier eintragen:

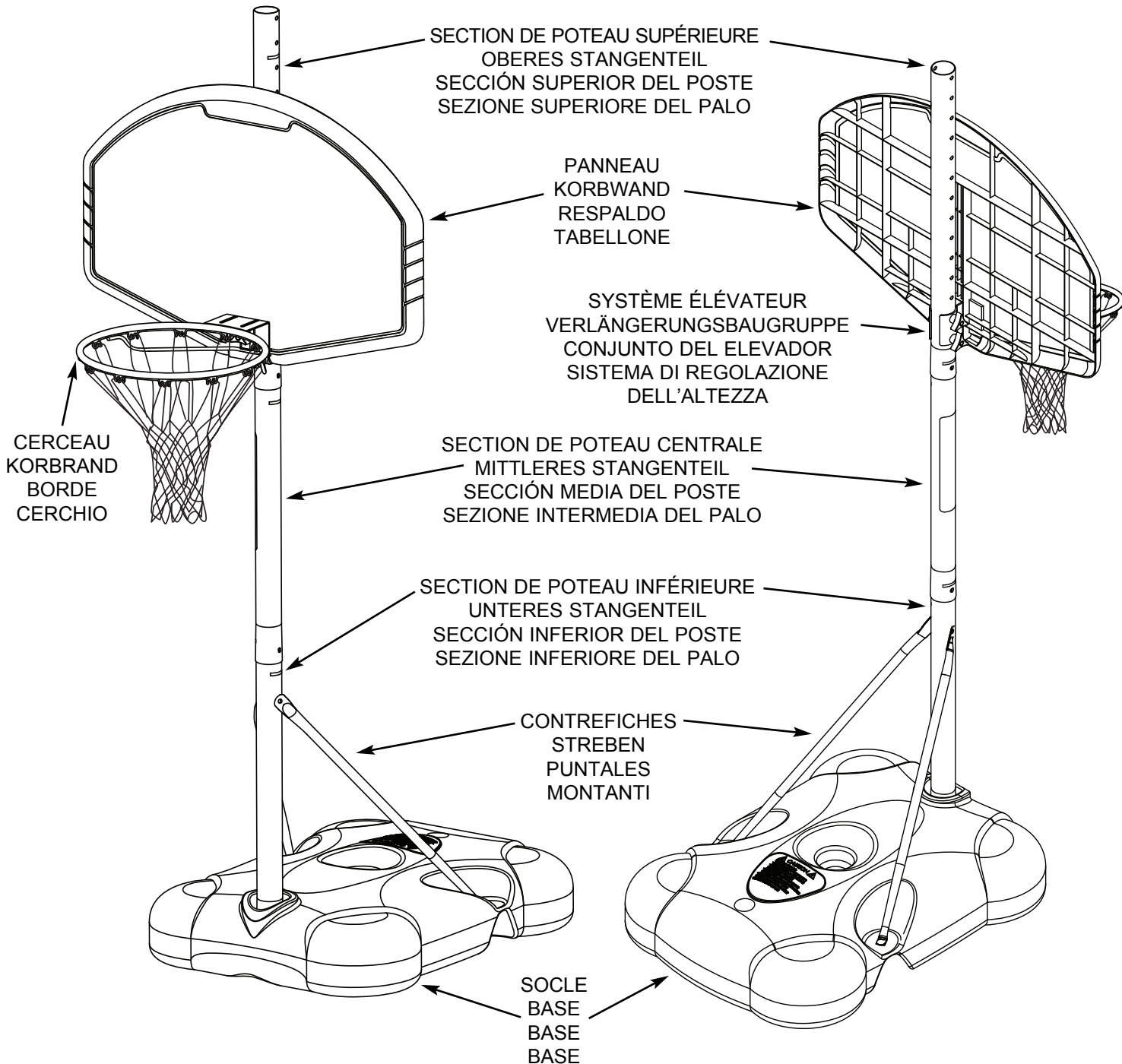
Escriba aquí el número de modelo que viene en la caja:

Riportare qui il numero di modello che si trova sulla scatola:

*Apprenez à connaître les composants de base de votre système de basket-ball...
 Machen Sie sich mit den wichtigsten Teilen Ihres Basketballsystems vertraut...
 Conozca las piezas básicas de su sistema de baloncesto...
 È bene familiarizzarsi con i componenti principali del sistema da pallacanestro...*

**Vue de Face
 Ansicht Von Vorne
 Vista Frontal
 Lato Anteriore**

**Vue de Dos
 Ansicht Von Hinten
 Vista Posterior
 Lato Posteriore**



LISTE DES PIÈCES

<input checked="" type="checkbox"/>	<u>Légende</u>	<u>Quantité</u>	<u>No de réf.</u>	<u>Description</u>
<input type="checkbox"/>	1	1	20664903	Socle (noir)
<input type="checkbox"/>	2	1	90813001	Section de poteau supérieure
<input type="checkbox"/>	3	1	90813301	Section de poteau centrale avec étiquette
<input type="checkbox"/>	4	1	908674	Section de poteau inférieure
<input type="checkbox"/>	5	4	207610	Ecrou, Boulon, 5/16-18
<input type="checkbox"/>	6	1		Filet
<input type="checkbox"/>	7	1	20378701	Capuchon
<input type="checkbox"/>	8	1	203223	Boulon ordinaire, 3/8-16 x 1" (long.)
<input type="checkbox"/>	9	1	203617	Bouchon de réservoir
<input type="checkbox"/>	10	1	203740	Boulon, tête à six pans, 5/16-18 x 2.63" (long.)
<input type="checkbox"/>	11	2	600088	Bouton en plastique
<input type="checkbox"/>	12	1		Cerceau
<input type="checkbox"/>	13	1		Panneau
<input type="checkbox"/>	14	1	90813401	Support de panneau
<input type="checkbox"/>	15	1	908129	Support de Cerceau
<input type="checkbox"/>	16	2	206686	Boulon ordinaire, 1/4-20 x 3.25" (long.)
<input type="checkbox"/>	17	4*	203218	Rondelle, 5/16
<input type="checkbox"/>	18	1	203309	Rondelle, 1.0" D.E.
<input type="checkbox"/>	19	1	203679	Boulon, tête à six pans, 3/8-16 x 2" (long.)
<input type="checkbox"/>	20	2	201531	Boulon ordinaire, 3/8-16 x .75" (long.)
<input type="checkbox"/>	21	1	900454	Contrefiche de réservoir
<input type="checkbox"/>	22	1	900255	Contrefiche de réservoir
<input type="checkbox"/>	23	1	558170	Étiquette, Réglge De La Hauteur

* Il est possible que vous ayez d'autres pièces avec ce modèle.

TEILELISTE

<input checked="" type="checkbox"/>	<u>Nr.</u>	<u>Anz.</u>	<u>Teilenummer</u>	<u>Beschreibung</u>
<input type="checkbox"/>	1	1	20664903	Base (Schwarz)
<input type="checkbox"/>	2	1	90813001	Oberes Stangenteil
<input type="checkbox"/>	3	1	90813301	Mittleres Stangenteil mit Schild
<input type="checkbox"/>	4	1	908674	Unteres Stangenteil
<input type="checkbox"/>	5	4	207610	Hutmutter, 5/16-18
<input type="checkbox"/>	6	1		Netz
<input type="checkbox"/>	7	1	20378701	Deckel
<input type="checkbox"/>	8	1	203223	Schlossschraube, 3/8-16 x 1 Länge
<input type="checkbox"/>	9	1	203617	Tankdeckel
<input type="checkbox"/>	10	1	203740	Sechskantkopfschraube, 5/16-18 x 2.63" Länge
<input type="checkbox"/>	11	2	600088	Plastikknopf
<input type="checkbox"/>	12	1		Korbrand
<input type="checkbox"/>	13	1		Korbwand
<input type="checkbox"/>	14	1	90813401	Korbwand-Montagehalterung
<input type="checkbox"/>	15	1	908129	Korbwand -Montagehalterung
<input type="checkbox"/>	16	2	206686	Schlossschraube, 1/4-20 x 3.25" Länge
<input type="checkbox"/>	17	4*	203218	Unterlegscheibe, 5/16
<input type="checkbox"/>	18	1	203309	Unterlegscheibe, 1.0 Zoll AD
<input type="checkbox"/>	19	1	203679	Sechskantkopfschraube, 3/8-16 x 2" Länge
<input type="checkbox"/>	20	2	201531	Schlossschraube, 3/8-16 x .75 Länge
<input type="checkbox"/>	21	1	900454	Tankverstrebung
<input type="checkbox"/>	22	1	900255	Tankverstrebung
<input type="checkbox"/>	23	1	558170	Höhenanzeigaufkleber

* Diesem Modell können zusätzliche Teile beige packt sein.

LISTA DE PIEZAS

<input checked="" type="checkbox"/>	<u>Artículo</u>	<u>Cant.</u>	<u>Pieza N.º</u>	<u>Descripción</u>
<input type="checkbox"/>	1	1	20664903	Base (negro)
<input type="checkbox"/>	2	1	90813001	Sección superior del poste
<input type="checkbox"/>	3	1	90813301	Sección media del poste con etiqueta
<input type="checkbox"/>	4	1	908674	Sección inferior del poste
<input type="checkbox"/>	5	4	207610	Tuerca ciega, 5/16-18
<input type="checkbox"/>	6	1		Red
<input type="checkbox"/>	7	1	20378701	Tapa
<input type="checkbox"/>	8	1	203223	Perno cabeza de carro, 3/8-16 x 1" de longitud
<input type="checkbox"/>	9	1	203617	Tapa del tanque
<input type="checkbox"/>	10	1	203740	Perno, cabeza hexagonal, 5/16-18 x 2.63" de longitud
<input type="checkbox"/>	11	2	600088	Perilla, plástico
<input type="checkbox"/>	12	1		Borde
<input type="checkbox"/>	13	1		Respaldo
<input type="checkbox"/>	14	1	90813401	Soporte de montaje del respaldo
<input type="checkbox"/>	15	1	908129	Soporte de Borde
<input type="checkbox"/>	16	2	206686	Perno cabeza de carro, 1/4-20 x 3.25" de longitud
<input type="checkbox"/>	17	4*	203218	Arandela, 5/16
<input type="checkbox"/>	18	1	203309	Arandela, 1.0" D.E.
<input type="checkbox"/>	19	1	203679	Perno, cabeza hexagonal, 3/8-16 x 2" de longitud
<input type="checkbox"/>	20	2	201531	Perno cabeza de carro, 3/8-16 x .75" de longitud
<input type="checkbox"/>	21	1	900454	Puntal del tanque
<input type="checkbox"/>	22	1	900255	Puntal del tanque
<input type="checkbox"/>	23	1	558170	Etiqueta, Adjusta De La Altura

* Puede haber piezas adicionales en este modelo.

ELENCO DEI PEZZI

<input checked="" type="checkbox"/>	<u>Art.</u>	<u>Quantità</u>	<u>N. pezzo</u>	<u>Descrizione</u>
<input type="checkbox"/>	1	1	20664903	Base (nero)
<input type="checkbox"/>	2	1	90813001	Sezione superiore del palo
<input type="checkbox"/>	3	1	90813301	Sezione intermedia del palo con etichetta
<input type="checkbox"/>	4	1	908674	Sezione inferiore del palo
<input type="checkbox"/>	5	4	207610	Dado ghianda, 5/16-18 5/16-18
<input type="checkbox"/>	6	1		Rete
<input type="checkbox"/>	7	1	20378701	Cappuccio, parte superiore del palo
<input type="checkbox"/>	8	1	203223	Bullone a legno da 5/16-18 x 1" di lungh.
<input type="checkbox"/>	9	1	203617	Cappuccio, serbatoio
<input type="checkbox"/>	10	1	203740	Bullone esagonale, 5/16-18 x 2,63" di lungh.
<input type="checkbox"/>	11	2	600088	Manopola di plastica, a tre lati
<input type="checkbox"/>	12	1		Cerchio
<input type="checkbox"/>	13	1		Tabellone
<input type="checkbox"/>	14	1	90813401	Staffa di montaggio del tabellone
<input type="checkbox"/>	15	1	908129	Staffa del cerchio
<input type="checkbox"/>	16	2	206686	P Bullone a legno, 1/4-20 x 3,25" di lungh.
<input type="checkbox"/>	17	4*	203218	Rondella piatta, 5/16
<input type="checkbox"/>	18	1	203309	Rondella piatta, 1,0" di diam. esterno
<input type="checkbox"/>	19	1	203679	Bullone esagonale, 3/8-16 x 2" di lungh.
<input type="checkbox"/>	20	2	201531	Bullone a legno da 5/16-18 x .75" di lungh.
<input type="checkbox"/>	21	1	900454	Montante sinistro
<input type="checkbox"/>	22	1	900255	Montante destro
<input type="checkbox"/>	23	1	558170	Etichetta di regolazione dell'altezza

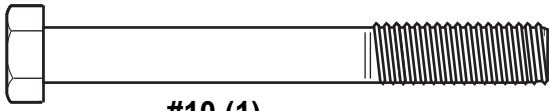
* Con questo modello potrebbero essere stati forniti ulteriori pezzi.

DESCRIPTIF DES PIÈCES - La visserie est grandeur nature.

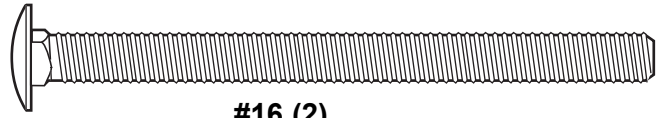
TEILESCHLÜSSEL - Die Befestigungsteile sind in ihrer tatsächlichen Größe abgebildet.

IDENTIFICADOR DE PIEZAS: El herraje aparece en su tamaño real

FOGLIO DI IDENTIFICAZIONE DEI PEZZI - Componenti in grandezza naturale



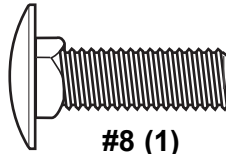
#10 (1)



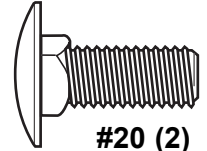
#16 (2)



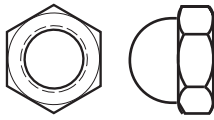
#19 (1)



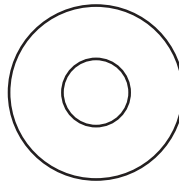
#8 (1)



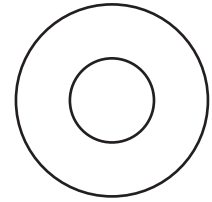
#20 (2)



#5 (4)



#17 (4)*



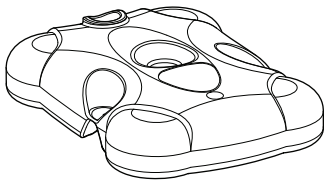
#18 (1)

IDENTIFICATION DES PIÈCES - Pas à la grandeur réelle

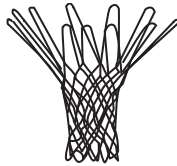
TEILESCHLÜSSEL - Die einzelnen Teile sind nicht in ihrer tatsächlichen Größe abgebildet.

IDENTIFICADOR DE PIEZAS: Las piezas no aparecen en su tamaño real

FOGLIO DI IDENTIFICAZIONE DEI PEZZI - Componenti non in grandezza naturale



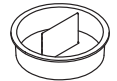
#1 (1)



#6 (1)



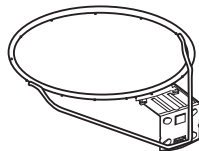
#7 (1)



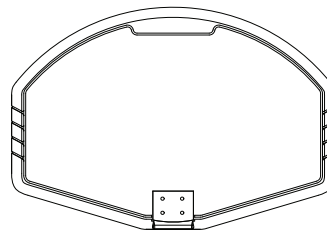
#9 (1)



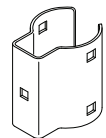
#11 (2)



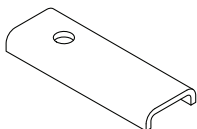
#12 (1)



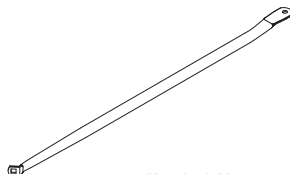
#13 (1)



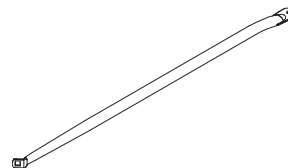
#14 (1)



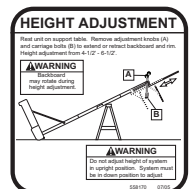
#15 (1)



#21 (1)



#22 (1)



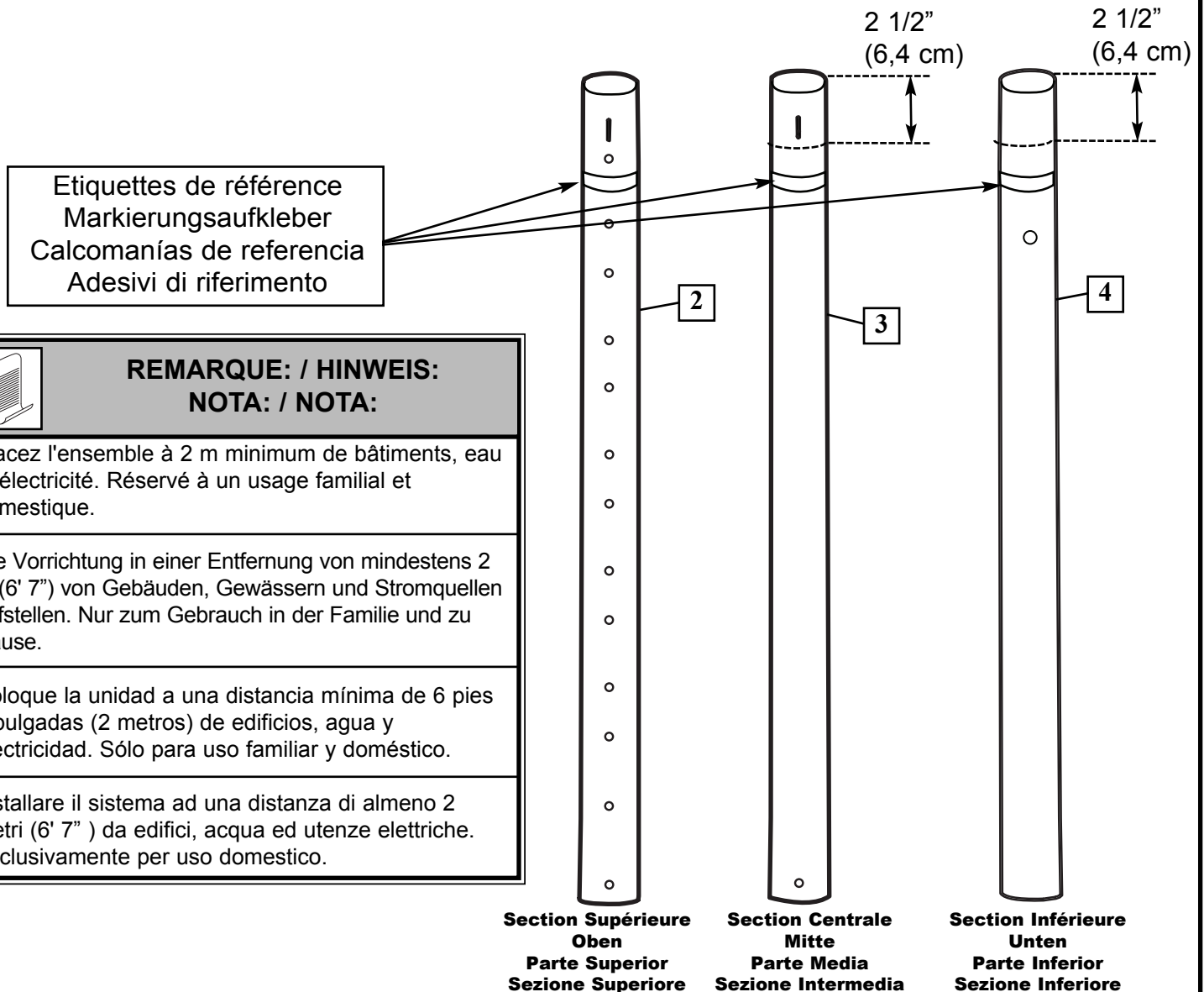
#23 (1)

1. Correctement identifier chaque section de pôle. Marquer avec la bande ou la borne sur le milieu et les pôles inférieurs (3 & 4) 2 1/2" (6,4 cm) des premières fins. Ne pas gratter la peinture sur les pôles. **VOIR CI-DESSOUS**

Identifizieren Sie richtig jeden Stangenabschnitt. Markieren Sie mit Band oder Markierung auf Mitte und unteren Stangen (3 & 4) 2 1/2" (6,4 cm) von obersten Enden. Kratzen Sie nicht Farbe auf Stangen. **SIEHE UNTEN**

Identifique correctamente cada sección de asta. Marque con cinta o marcador en el centro y astas inferiores (3 & 4) 2 1/2" (6,4 cm) de fines primeros. No rasguñe pintura en astas. **VEA ABAJO**

Correttamente identificare ogni sezione di asta. Marcare con il nastro o con il pennarello sul mezzo e le aste inferiori (3 & 4) 2 1/2" (6,4 cm) dalle superiori fini. Non grattare la vernice sulle aste. **VEDERE DI SOTTO**



IMPORTANT! UNE FOIS LES SECTIONS DE POLONAI SONT ASSEMBLEES - ILS ne PEUVENT pas ETRE DEMONTES !
WICHTIG! NACHDEM STANGE ABSCHNITTE MONTIERT SIND - SIE KÖNNEN nicht AUSEINANDER GENOMMEN WERDEN!
¡IMPORTANTE! ¡UNA VEZ QUE SECCIONES de ASTA SON REUNIDAS - ELLOS no PUEDEN SER DESARMADOS!
IMPORTANTE! UNA VOLTA LE SEZIONI DI ASTA SONO MONTATE - non POSSONO ESSERE SMONTATI!

2.

Aligner des pôles qui utilisent les marques d'alignement. Premièrement, assembler le sommet (2) et le milieu (3) les pôles ensemble en les rebondant sur un morceau de fragment de bois par terre selon A. DE FIGUE jusqu'à ce que le premier pôle (2) transfère au 2 1/2 pouce (6,4 cm) marque vous a fait précédemment sur le pôle du milieu (3). ALORS ajouter le pôle inférieur (4) et s'assemble dans la même façon, jusqu'à ce que le pôle du milieu transfère au 2 1/2 pouce (6,4 cm) marque vous a fait précédemment dessus du pôle inférieur(4).

Richten Sie Stangen aus, die Ausrichtungsmarkierungen benutzen. Montieren Sie zuerst Oberteil (2) und Mitte (3) Stangen zusammen durch Springen sie auf einem Fetzenstückholz auf dem Boden wie in ABB A., bis die oberste Stange (2) Bewegungen zum 2 1/2 Zoll (6,4 cm) Sie vorher markiert, hat auf der mittleren Stange (3) gemacht. Fügen Sie DANN untere Stange (4) hinzu und montieren Sie im gleichen Weg, bis die mittlere Stange zum 2 1/2 Zoll (6,4 cm) bewegt, markiert Sie vorher haben gemacht auf dem Oberteil der unteren Stange (4).

Alinee astas que utilizan marcas de alineación. Primero, reúna la cima (2) y el centro (3) astas botandolos juntos en un pedazo de pedacito de madera en el suelo como mostrado en el HIGO A. hasta que la asta primera (2) movimientos a la 2 1/2 pulgada (6.4 cm) le marque hizo anteriormente en la asta mediana (3). ENTONCES agregue asta inferior (4) y reúna de la misma manera, hasta que la asta mediana mueva a la 2 1/2 pulgada (6,4 cm) le marca hizo anteriormente en la cima de la asta inferior (4).

Allineare delle aste che usano i marchi di allineamento. Dapprima, monta la cima (2) ed il mezzo (3) le aste insieme li rimbalzando su un pezzo di pezzetto di legno mentre ha mostrato a terra in A. DI FICO finché la superiore asta (2) i movimenti al 2 1/2 pollice (6,4 cm) la marca ha fatto precedentemente sull'asta media (3). POI aggiungere l'asta inferiore (4) e montare nella stessa maniera, finché l'asta media si muove al 2 1/2 pollice (6,4 cm) la marca ha fatto precedentemente sulla cima dell'asta inferiore (4).



Section Supérieure
Oben
Parte Superior
Sezione Superiore

Repère d'alignement.
 Ausrichtungsmarkierung
 Marca de alineación.
 Contrassegno Di Allineamento

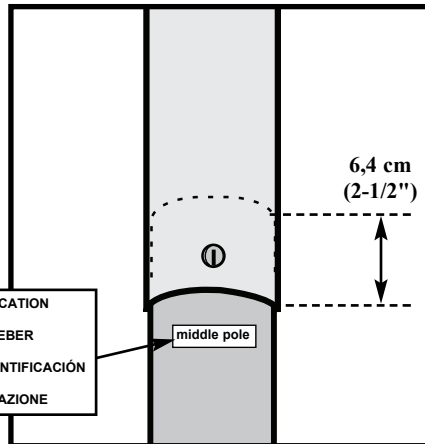
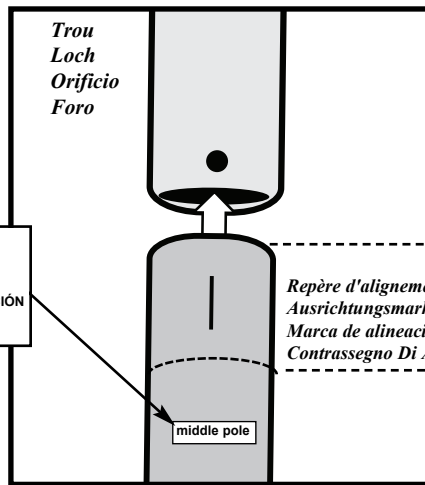
Section Centrale
Mitte
Parte Media
Sezione Intermedia

ÉTIQUETTE D'IDENTIFICATION
 MARKIERUNGS-AUFKLEBER
 CALCOMANÍAS DE IDENTIFICACIÓN
 ADESIVO DI IDENTIFICAZIONE

Repère d'alignement.
 Ausrichtungsmarkierung
 Marca de alineación.
 Contrassegno Di Allineamento

Section Inférieure
Unten
Parte Inferior
Sezione Inferiore

ÉTIQUETTE D'IDENTIFICATION
 MARKIERUNGS-AUFKLEBER
 CALCOMANÍAS DE IDENTIFICACIÓN
 ADESIVO DI IDENTIFICAZIONE



	ATTENTION! VORSICHT! ¡PRECAUCIÓN! ATTENZIONE!
WHEN PROPERLY ASSEMBLED, THE POLES SHOULD HAVE A 2-1/2" (6,4 CM) OVERLAP.	
QUAND CONVENABLEMENT ASSEMBLE, LES POLONAI DEVRAIENT AVOIR UN 2-1/2" (6,4 CM) RECOUVREMENT.	
WENN ORDENTLICH MONTIERT HAT, SOLLTEN DIE STANGEN EINE 2-1/2" (6,4CM) ÜBERLAPPUNG HABEN..	
CUANDO APROPIADO REUNIO, LAS ASTAS DEBEN TENER UNA 2-1/2" (6,4 CM) SUPERPOSICION.	
QUANDO CORRETTAMENTE MONTATO, LE ASTE DOVREBBERO AVERE UNA 2-1/2" (6,4 CM) SOVRAPPOSIZIONE.	

Figure A
 siehe Abb. A
FIG A
FIG A

Bout de bois (non fourni)
Holzstück (nicht im Lieferumfang enthalten)
Trozo de madera (No se suministra)
Tavoletta di legno (non fornita)

The illustration shows a person wearing a hard hat and safety glasses, holding a vertical pole section. The pole is resting on a small wooden block on the ground. The person is looking at the pole, possibly checking its alignment.

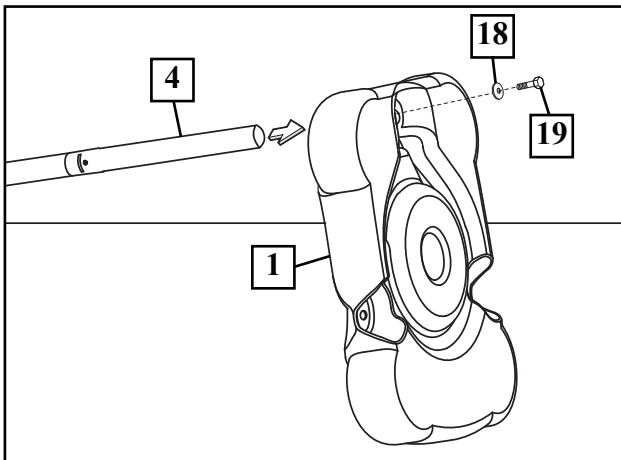
3.

Attachez l'ensemble du poteau Le socle, comme illustré. Fixez le poteau sur le socle en tournant le poteau dans le sens des aiguilles d'une montre, comme illustré.

Den Stangenaufbau wie gezeigt an der Sockelbaugruppe befestigen. Den Stangenaufbau wie gezeigt durch Rechtsdrehen am Sockel und an der befestigen.

Instale el conjunto del poste en el conjunto La Base como se muestra. Asegure el conjunto del poste en el tanque girando hacia la derecha el conjunto del poste.

Fissare il palo al serbatoio, come mostrato. Bloccare il palo sul serbatoio, girando il palo stesso in senso orario, come da figura.



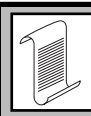
AVERTISSEMENT!
WARNING!
¡ADVERTENCIA!
AVVERTENZA!

IL EST OBLIGATOIRE DE S'Y PRENDRE À DEUX POUR CETTE PROCÉDURE. SUIVEZ CET AVERTISSEMENT SOUS PEINE D'ENCOURIR DES BLESSURES GRAVES ET/OU DES DÉGÂTS MATÉRIELS.

DIESES SCHRITT MUSS VON ZWEI PERSONEN AUSGEFÜHRT WERDEN. EIN MISSACHTEN DIESER WARNUNG KANN ZU SCHWEREN VERLETZUNGEN UND/ODER SACHSCHÄDEN FÜHREN.

SE REQUIEREN DOS PERSONAS PARA REALIZAR ESTE PROCEDIMIENTO. SI NO SE OBSERVA ESTA ADVERTENCIA SE PODRÍA OCASIONAR UNA LESIÓN GRAVE Y/O DAÑOS A LA PROPIEDAD.

PER ESEGUIRE QUESTA PROCEDURA SONO NECESSARIE DUE PERSONE LA MANCATA OSSERVANZA DI QUESTA AVVERTENZA POTREBBE TRADURSI IN INFORTUNI E/O DANNI GRAVI.



REMARQUE:
HINWEIS:
NOTA:
NOTA:

BASCULEZ AVEC PRÉCAUTION LE SYSTÈME VERS L'AVANT POUR FACILITER L'ACCÈS AU DESSOUS DU SOCLE.

DURCH VORSICHTIGES KIPPEN DES SYSTEMS NACH VORNE WIRD DIE SOCKELUNTERSEITE LEICHTER ZUGÄNGLICH.

SI SE INCLINA CUIDADOSAMENTE EL SISTEMA HACIA ADELANTE SE FACILITARÁ EL ACCESO A LA PARTE INFERIOR DE LA BASE.

FACENDO ATTENZIONE AFFINCHÉ NON CADA, INCLINARE IN AVANTI IL SISTEMA PER CONSENTIRE UN PIÙ FACILE ACCESSO AL LATO INFERIORE DELLA BASE.

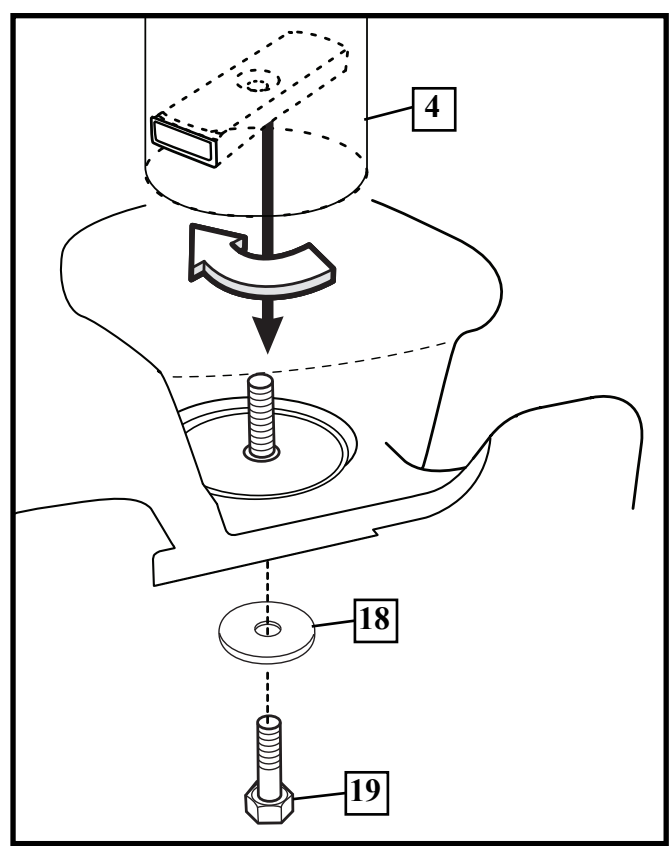
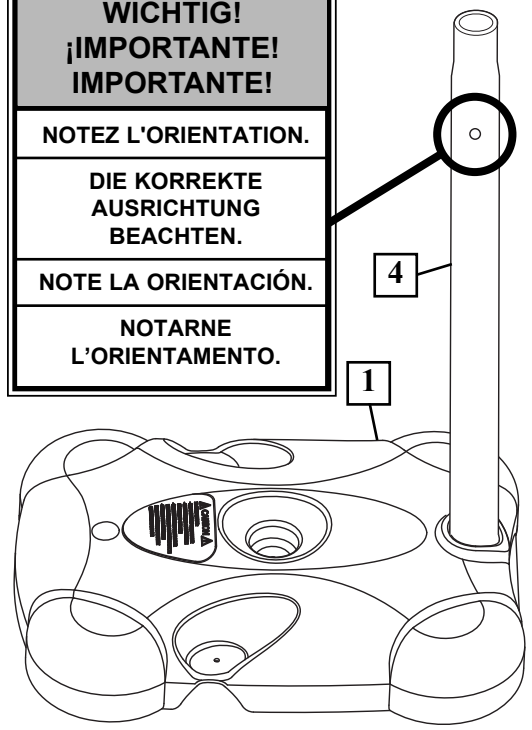
IMPORTANT!
WICHTIG!
¡IMPORTANTE!
IMPORTANTE!

NOTEZ L'ORIENTATION.

DIE KORREKTE AUSRICHTUNG BEACHTEN.

NOTE LA ORIENTACIÓN.

NOTARNE L'ORIENTAMENTO.



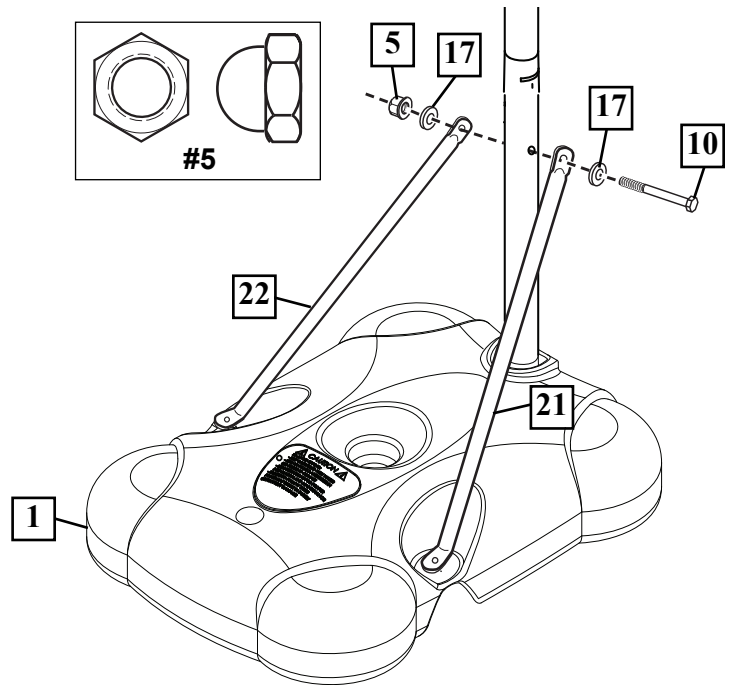
4.

Fixez les contrefiches la socle (21 et 22) au poteau.

Die Sockelverstreben (21 und 22) an der Stange befestigen.

Asegure los puntales la base (21 y 22) en el poste.

Fissare al palo i Base (21 e 22) del serbatoio.



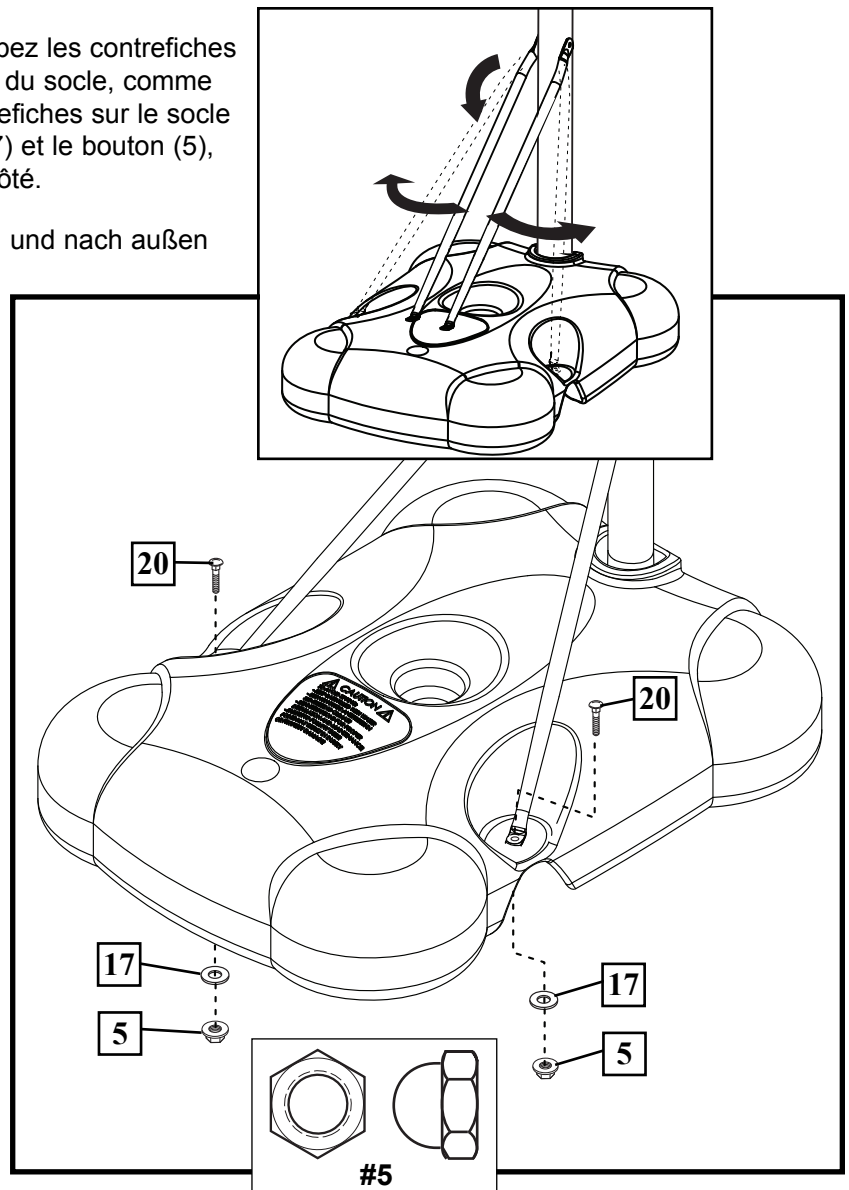
5.

Tournez les contrefiches vers le bas et courbez les contrefiches vers l'extérieur pour les aligner sur les trous du socle, comme illustré. Fixez les extrémités libres des contrefiches sur le socle avec le boulon ordinaire (20), la rondelle (17) et le bouton (5), comme illustré. Faites de même de l'autre côté.

Die Streben wie gezeigt nach unten klappen und nach außen biegen, damit sie mit den Löchern am Sockel zur Deckung kommen. Die unbefestigten Enden der Sockelverstreben mit der Schlossschraube (20), der Unterlegscheibe (17) und dem Drehknopf (5) wie gezeigt am sockel befestigen. Das gleiche Verfahren auf der anderen Seite durchführen.

Gire los puntales hacia abajo y dóblelos hacia fuera para alinearlos con los orificios de la base como se muestra. Asegure los extremos libres de los puntales del la base el en tanque con el perno cabeza de carro (20), arandela (17) y perilla (5) como se muestra. Repita el procedimiento en el otro lado.

Girare i montanti verso il basso piegandoli all'infuori per allinearli con i fori sulla base, come illustrato. Fissare le estremità libere dei montanti al serbatoio con il bullone a legno (20) e il dado (5), come mostrato. Ripetere la procedura per il lato opposto.

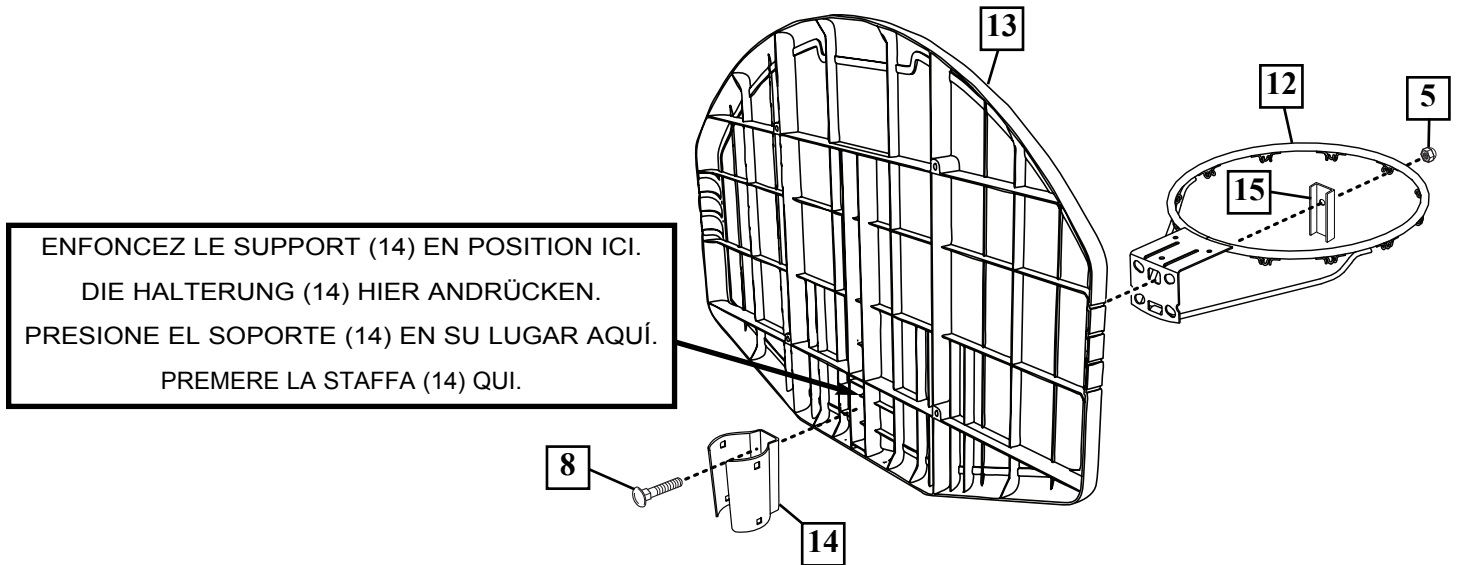


6. Vous devrez appuyer légèrement sur le support de poteau pour l'insérer dans les crans du panneau. Veillez à l'enfoncer complètement en position. Attachez le cerceau au panneau et le support de poteau (14) avec le bouton (5), le support de renforcement (15) et le boulon ordinaire (8), comme illustré. Serrez le bouton à fond.

Die Stangenhalterung muss mit leichtem Druck in die Korbwandriffelung eingepresst werden. Die Halterung fest andrücken. Den Korbrand wie gezeigt mit dem Drehknopf (5), der Verstärkungshalterung (15) und der Schlossschraube (8) an der Korbwand und der Stangenhalterung (14) befestigen. Den Drehknopf fest anziehen.

Será necesario que el soporte del poste se presione ligeramente contra los rebordes del respaldo. Asegúrese de presionarlo completamente en su lugar. Instale el borde en el respaldo y el soporte del poste (14) con la perilla (5), el soporte de refuerzo (15) y el perno cabeza de carro (8) como se muestra. Apriete completamente la perilla.

La staffa del palo va premuta leggermente contro le costole sul lato posteriore del tabellone, accertandosi che vi si incastrino bene. Fissare il cerchio al tabellone e alla staffa (14) del palo con il dado (5), la staffa di rinforzo (15) e il bullone a legno (8), come mostrato. Stringere il dado fino in fondo.

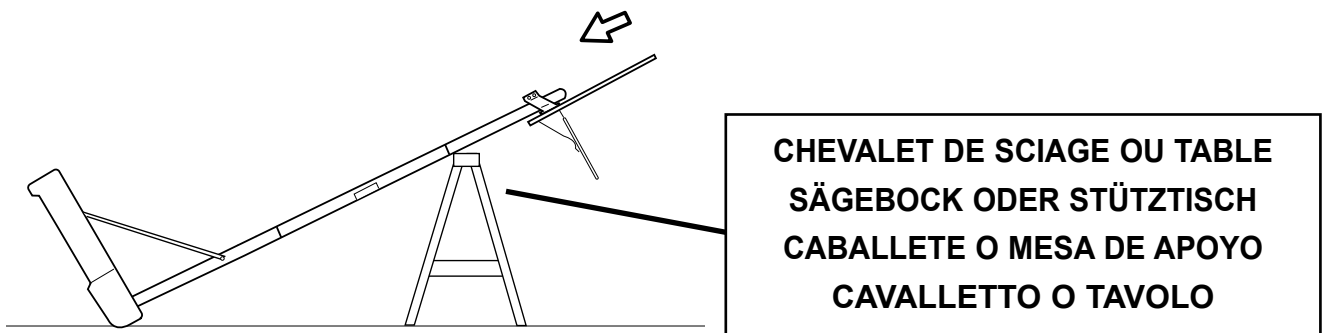


Basculez l'ensemble avec précaution vers l'avant et glissez le panneau sur le poteau, comme illustré.

Die Vorrichtung vorsichtig nach vorne kippen und die Korbwandbaugruppe wie gezeigt auf die Stange schieben.

Incline cuidadosamente la unidad hacia adelante y deslice el conjunto del respaldo en el poste como se muestra.

Facendo attenzione affinché non cada, inclinare il sistema in avanti e far scivolare il tabellone sul palo, come mostrato.



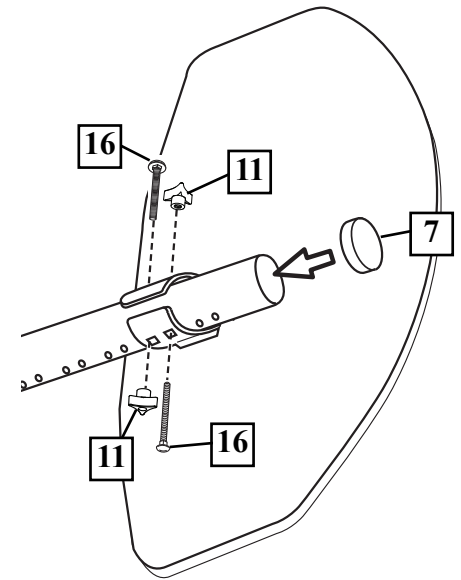
7.

Attachez le panneau au poteau avec les boulons ordinaires (16) et les boutons (11), comme illustré. Placez le capuchon (7) sur le poteau, comme illustré.

Den Korbwandaufbau wie gezeigt mit den Schlossschrauben (16) und Drehknöpfen (11) an der Stange befestigen. Die Stangenkappe (7) wie gezeigt aufsetzen.

Instale el conjunto del tablero en el poste con los pernos cabeza de carro (16) y las perillas (11) como se muestra. Instale la tapa del poste (7) como se muestra.

Fissare il tabellone al palo con i bulloni a legno (16) e le manopole (11), come mostrato. Inserire il cappuccio (7) sul palo, come illustrato.



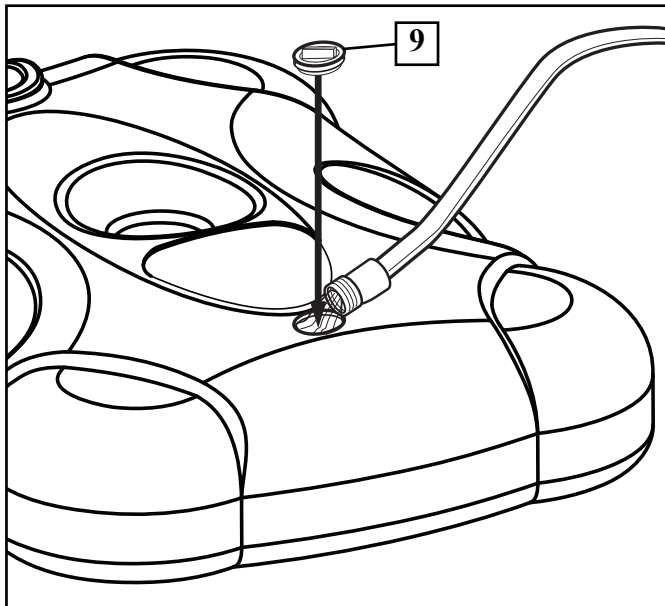
8.

Placez l'ensemble à l'emplacement de votre choix. Remplissez la socle d'eau (53 litres / 14 gallons) ou de sable (77 kg / 170 lb.) et fermez avec le bouchon (9).

Die zusammengebaute Vorrichtung an den gewünschten Aufstellungsort bringen. Den Sockel mit Wasser (53 l [14 gal]) oder Sand (77 kg [170 lbs]) füllen und den Tankdeckel (9) aufschnappen lassen.

Coloque la unidad montada en la ubicación deseada. Llène la base con agua (53 litros/14 galones) o con arena (77 kg/170 libras) y conecte a presión la tapa del tanque (9) en su lugar.

Il luogo ha montato l'unità nella posizione desiderata. Riempire la base completamente con l'acqua (14 galloni / 53 litri) o la sabbia (all'incirca. 170 lb./77 kg) ed il cappuccio di base di schiocco (9) nel luogo.



	<p>REMARQUE: HINWEIS: NOTA: NOTA:</p>
<p>SI VOUS UTILISEZ DU SABLE: L'UTILISATION DE 3,78 LITRES D'ANTIGEL EST INUTILE.</p>	
<p>BEI GEBRAUCH VON SAND: WERDEN NATÜRLICH KEINE 3.78 LITER GEFRIERSCHUTZMITTEL BENÖTIGT.</p>	
<p>SI SE USA ARENA: NO SE REQUIERE EL USO DE ANTICONGELANTE.</p>	
<p>SE SI USA SABBIA: I 3,78 LIRI DI ANTIGELO NON SERVONO.</p>	

	<p>ATTENTION! VORSICHT! ¡PRECAUCIÓN! ATTENZIONE!</p>
<p>AJOUTEZ 3,78 LITRES (1 GALLONS) D'ANTIGEL NON TOXIQUE EN PRÉVISION DE TEMPÉRATURES EN DESSOUS DE 0.</p>	
<p>DEN SOCKEL MIT 3,78 L (1 GAL) EINES UNGIFTIGEN GEFRIERSCHUTZMITTELS FÜLLEN, UM IN KLIMAZONEN MIT FROSTTEMPERATUREN EIN GEFRIEREN ZU VERHINDERN.</p>	
<p>AÑADA 3.78 LITROS (UNO GALONES) DE ANTICONGELANTE NO TÓXICO SI EL CLIMA ALCANZA TEMPERATURAS DE CONGELAMIENTO.</p>	
<p>NEI LUOGHI IN CUI LE TEMPERATURE SCENDONO AL DI SOTTO DELLO ZERO, AGGIUNGERE 3,78 LITRI (1 GALLONE) DI ANTIGELO ATOSSICO.</p>	

9.

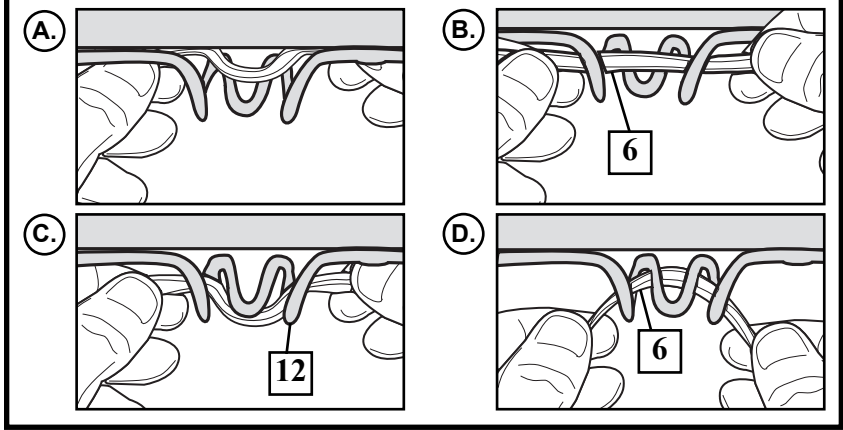
Installez le filet (6).

Das Netz (6) anbringen.

Instale la red (6).

Montare la rete (6).

VUE EXTÉRIEURE / AUSSENANSICHT / VISTA EXTERNA / VISTA ESTERNA



10.

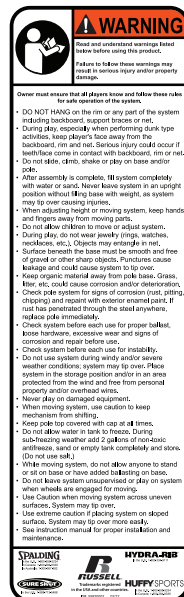
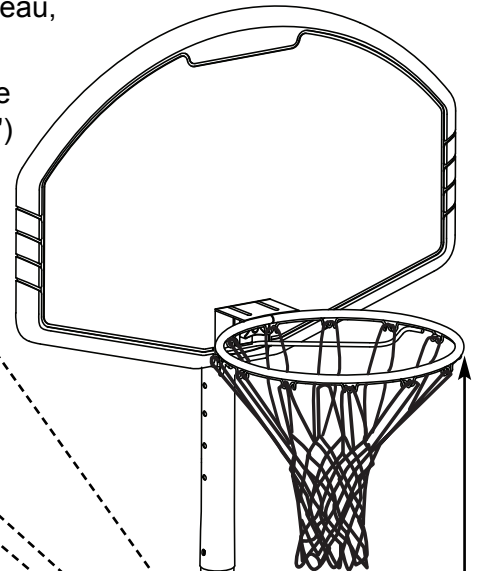
Collez l'étiquette de réglage de la hauteur (23) à l'avant du poteau, comme illustré. Réglage de la hauteur entre 1,37 m et 1,98 m.

Den Höheneinstellaufkleber (23) wie gezeigt an der Vorderseite der Stange anbringen. Höhenverstellung zwischen 1,37 m (4,5') und 1,98 m (6,5').

Aplique la etiqueta de ajuste de la altura (23) en la parte frontal del poste, en donde quede claramente visible. Ajuste de la altura de 4.5 a 6.5' (1.37 a 1.98 m).

Affiggere la targhetta di indicazione dell'altezza (23) al palo, come mostrato.

Regolazione dell'altezza del canestro da 1,37 m a 1,98 m.



1,98 m
(6.5 pieds)

1,98 m
(6.5 Fuß)

1,98 m
(6.5 pies)

1,98 m
(6,5 piedi)



AVERTISSEMENT!
WARNING!
¡ADVERTENCIA!
AVVERTENZA

LISEZ LE MODE D'EMPLOI.

**SOUS PEINE D'ENCOURIR DES BLESSURES
OU DES DÉGÂTS MATÉRIELS.**

**VOR GEBRAUCH DIESES PRODUKTS
SORGFÄLTIG DURCHLESEN.**

**EIN MISSACHTEN DIESER
BETRIEBSANLEITUNG KANN VERLETZUNGEN
ODER SACHSCHÄDEN ZUR FOLGE HABEN.**

LEA Y ENTIENDA

**SI NO SE SIGUEN LAS INSTRUCCIONES DE
OPERACIÓN SE PODRÍA OCASIONAR UNA
LESIÓN O DAÑOS A LA PROPIEDAD. OR
DAMAGE TO PROPERTY.**

**LEGGERE EATTENTAMENTE TUTTE LE
AVVERTENZE.**

**L'INOSSERVANZA DELLE ISTRUZIONI
POTREBBE TRADURSI IN GRAVI INFORTUNI
E/O DANNI ALLE COSE.**